

**Bend 90° steel 100 mm x 100
mm x 2,0 mm butt welding
(0200604)**



TECHNICAL SPECIFICATIONS

Material steel

Connection butt welding

Wall thickness 2,0 mm

Size 100 mm

DIMENSIONS

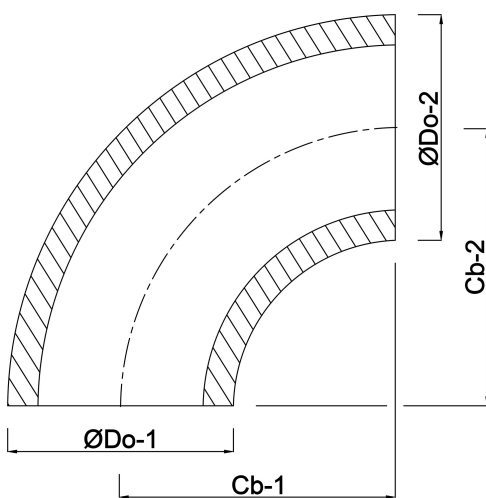
Cb-1 300 mm

Cb-2 300 mm

ØDo-1 100 mm

ØDo-2 100 mm

β 90 °



Last modified date: 14/03/2026

Bosta UK Ltd.
Reflection House
Olding Road
Bury St. Edmunds
Suffolk
IP33 3TA
T +44 (0) 1284 716580
E enquiries@bosta.co.uk
<http://www.bosta.com>