

# Profec Flange flat steel DN150 x 159,0 mm DIN flange x butt welding 10bar PN10 (1180243)



# TECHNICAL SPECIFICATIONS

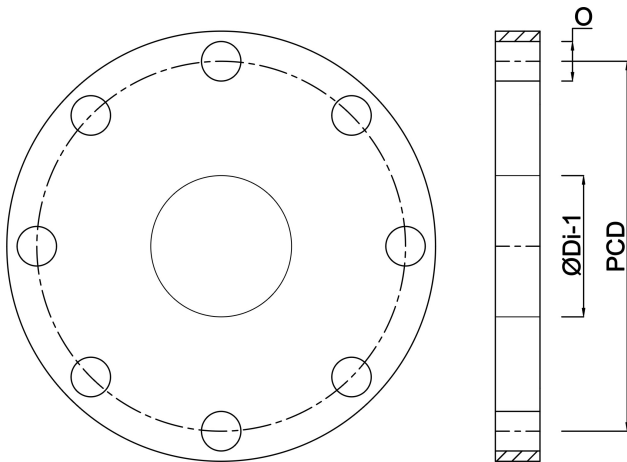
Material	steel
Connection	DIN flange x butt welding
DIN Standard	DIN 2576
Flange	PN10
Pressure	10 bar
Size	DN150 x 159,0 mm
Inner ø	161,1 mm
Outer ø	285 mm
Weight	6.97 kg
Thickness	22 mm
PCD	240 mm
Bolt hole	22 mm
Holes	8

## DIMENSIONS

O	22 mm
PCD	240 mm

ØDi-1

161.1 mm



**Last modified date: 24/05/2026**

Bosta UK Ltd.  
Reflection House  
Olding Road  
Bury St. Edmunds  
Suffolk  
IP33 3TA  
T +44 (0) 1284 716580  
E [enquiries@bosta.co.uk](mailto:enquiries@bosta.co.uk)  
<http://www.bosta.com>