

Pentair Sand filter fibreglass reinforced polyester 2" female thread 2,5bar blue type Triton® F-30S8-NEO-CP (7021212)



TECHNICAL SPECIFICATIONS

Colour	blue
Material	fibreglass reinforced polyester
Connection	female thread
Pressure	2,5 bar
Max. temp.	50 °C
Type	Triton® F-30S8-NEO-CP
Capacity	22 m ³ /h
Gravel	75 kg
Size	2"
Diameter	762 mm
Weight	29.8 kg
Sand	200 kg
Filter area	0.45 m ²
Max flow rate	22 m ³ /h
Max. pool vol.	110 m ³

DIMENSIONS

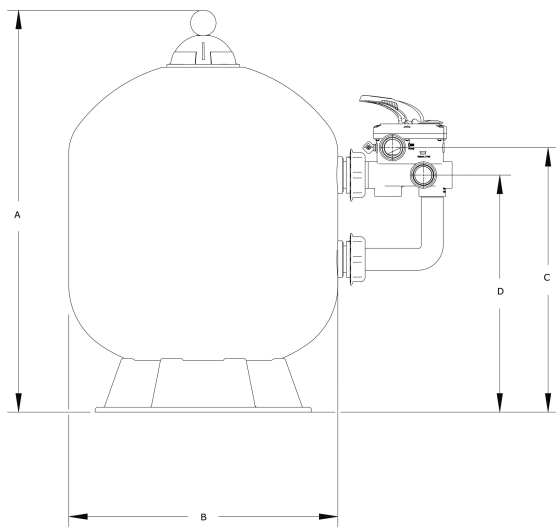
A 1055 mm

B 30 " inch

B 762 mm

C 671 mm

D 590 mm



PRODUCT INFORMATION

One-piece, fibreglass-reinforced tank with UV-resistant coating.

With side-mount 6-way valve.

Switch off the pump before each lever action.

Warranty period: Tank 10 years

Last modified date: 25/05/2026

Bosta UK Ltd.

Reflection House

Olding Road
Bury St. Edmunds
Suffolk
IP33 3TA
T +44 (0) 1284 716580
E enquiries@bosta.co.uk
<http://www.bosta.com>