

**Backing ring PP/steel PP 250  
mm SDR11 16bar DN250 black  
PN10 (7031732)**



# TECHNICAL SPECIFICATIONS

Colour black

Material PP/steel

Surface treatment PP

Class SDR11

Pressure 16 bar

Size 250 mm

DN 250

Flange PN10

Outer ø 409 mm

Weight 6.27 kg

Thickness 30 mm

Bolt hole 22 mm

Holes 12

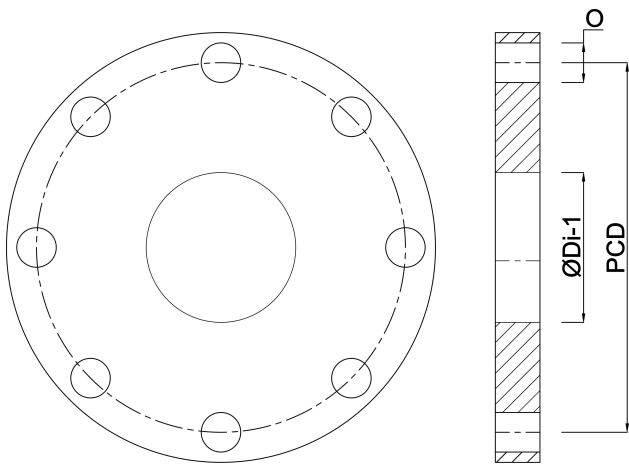
# DIMENSIONS

O 22 mm

PCD 350 mm

ØDi-1

288 mm



**Last modified date: 22/05/2026**

Bosta UK Ltd.  
Reflection House  
Olding Road  
Bury St. Edmunds  
Suffolk  
IP33 3TA  
T +44 (0) 1284 716580  
E [enquiries@bosta.co.uk](mailto:enquiries@bosta.co.uk)  
<http://www.bosta.com>