

Profec Nr. 41 Bend 45° cast iron galvanised 3/4" female thread 25bar DVGW (1004104)

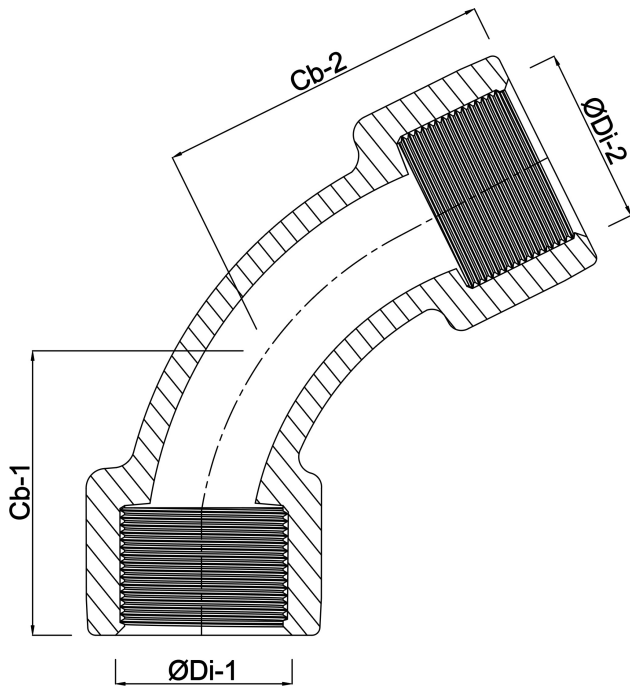


TECHNICAL SPECIFICATIONS

Material	cast iron
Surface treatment	galvanised
Approval	DVGW
Connection	female thread
Fitting nr.	Nr. 41
Temperature range	-20°C - 120°C
Pressure	25 bar
Size	3/4"

DIMENSIONS

Cb-1	43 mm
Cb-2	36 mm
ØDi-1	3/4 "
ØDi-2	3/4 "
β	45 °



Last modified date: 24/05/2026

Bosta UK Ltd.
Reflection House
Olding Road
Bury St. Edmunds
Suffolk
IP33 3TA
T +44 (0) 1284 716580
E enquiries@bosta.co.uk
<http://www.bosta.com>