

**Profec Backing ring PP 63 mm
16bar DN50 black PN10/16
(0101387)**



TECHNICAL SPECIFICATIONS

Colour black

Material PP

Size 63 mm

Packaging 12 pcs

DN 50

Inner ø 78 mm

Flange PN10/16

Outer ø 165 mm

Thickness 19 mm

Pressure 16 bar

Bolt hole 18 mm

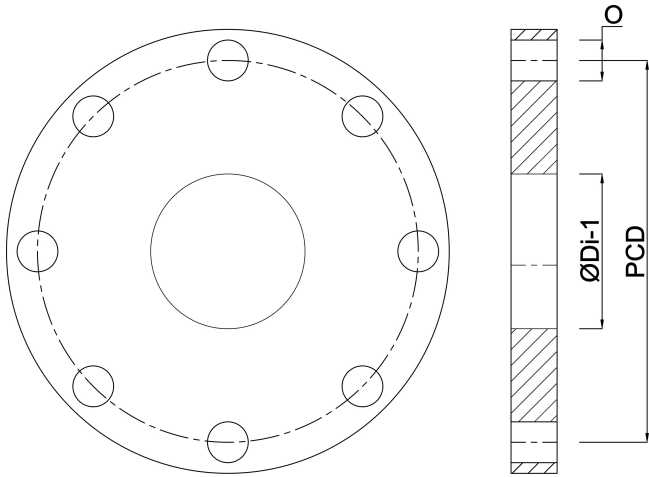
Holes 4

DIMENSIONS

ØDi-1 78 mm

PCD 125 mm

O 18 mm



Last modified date: 01/10/2025

Bosta UK Ltd.
Reflection House
Olding Road
Bury St. Edmunds
Suffolk
IP33 3TA
T +44 (0) 1284 716580
E enquiries@bosta.co.uk
<http://www.bosta.com>