

**Profec Butterfly valve ductile
iron (GGG40) epoxy coating
DN100 flange 10bar DN100
blue PN6/10/16 type 601 disc
stainless steel 316 (0401868)**



TECHNICAL SPECIFICATIONS

Colour	blue
Type	601
Material	ductile iron (GGG40)
Surface treatment	epoxy coating
Operation	lever
Colour lever	black
Handle material	malleable cast iron
Material valve	stainless steel 304
Material spindle	stainless steel 316
Seat material	EPDM
Material housing	ductile iron (GGG40)
Material seal	EPDM
Connection	flange
DIN Standard	DIN 2501
Flange	PN6/10/16
Temperature range	0°C - 90°C
Pressure	10 bar

Size DN100

DN 100

Width 52 mm

Height 351 mm

Torque 30 Nm

DIMENSIONS

Construction length din 3202 k1, iso 5752

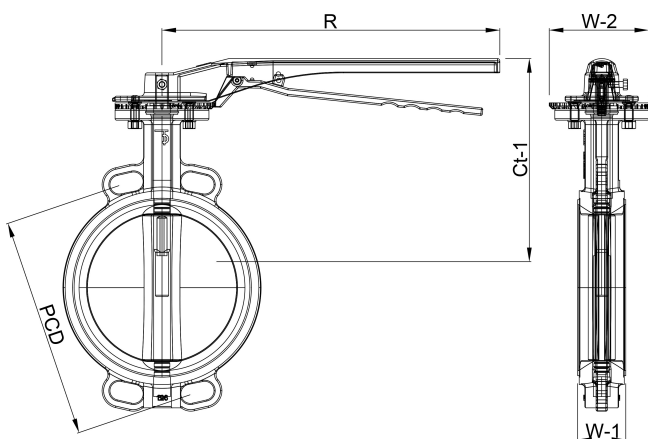
W-1 52 mm

PCD 170/180 mm

Ct-1 228 mm

R 260 mm

W-2 104 mm



Last modified date: 02/10/2025

Bosta UK Ltd.
Reflection House
Olding Road
Bury St. Edmunds
Suffolk
IP33 3TA
T +44 (0) 1284 716580
E enquiries@bosta.co.uk
<http://www.bosta.com>