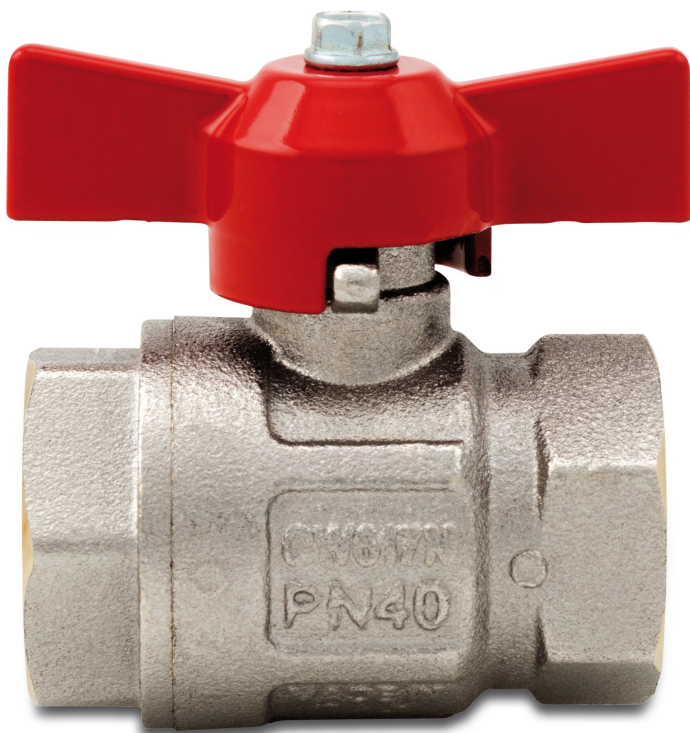


Itap Ball valve brass nickel plated 1" female thread 40bar type 092 (0402375)



TECHNICAL SPECIFICATIONS

Type 092

Material brass

Surface treatment nickel plated

Operation butterfly handle

Colour lever red

Handle material aluminium

Housing construction 2-part

Ball material hard chrome plated brass

Material housing brass

Material seal PTFE

Connection female thread

Max. temperature 150 °C

Minimum medium temperature -20 °C
(continuous)

Flow full

Size 1"

Pressure 40 bar

DIMENSIONS

Ct-1 51 mm

F-1 15 mm

F-2 15 mm

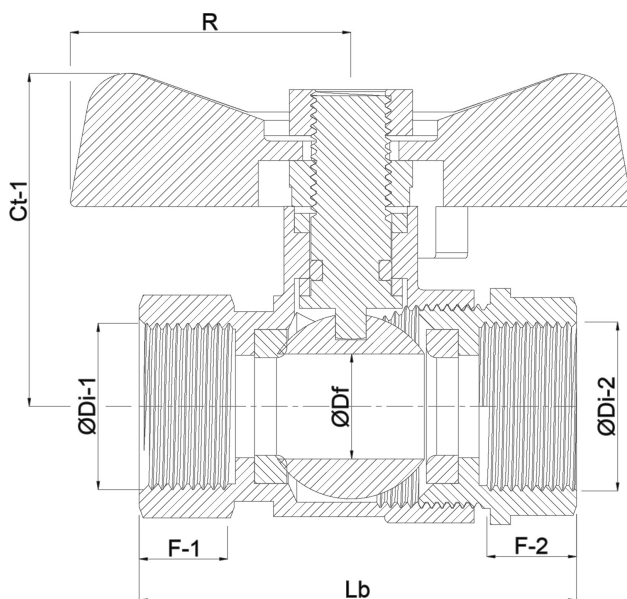
Lb 70 mm

R 31 mm

ØDf 25 mm

ØDi-1 1 "

ØDi-2 1 "



Last modified date: 23/05/2026

Bosta UK Ltd.
Reflection House
Olding Road
Bury St. Edmunds
Suffolk
IP33 3TA
T +44 (0) 1284 716580
E enquiries@bosta.co.uk
<http://www.bosta.com>