

**Backing ring PVC-U 200 mm x
7" 16bar DN175 grey PN10/16
(0160933)**



TECHNICAL SPECIFICATIONS

Colour grey

Material PVC-U

Pressure 16 bar

Holes 8

Suitable for 0160910

Size 200 mm x 7"

Packaging 8 pcs

DN 175

Inner ø 227 mm

Flange PN10/16

Outer ø 343 mm

Thickness 32 mm

Bolt hole 22 mm

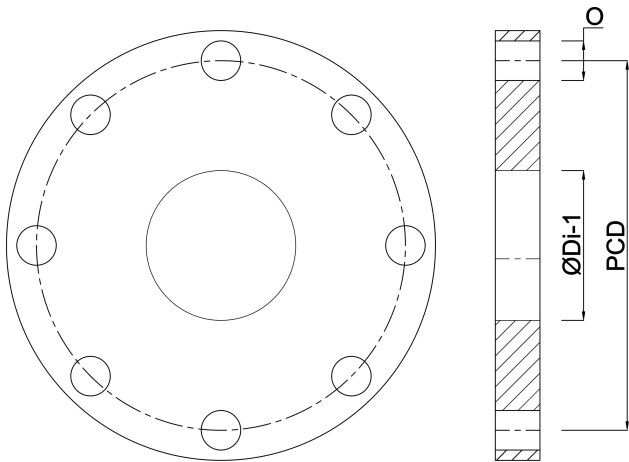
DIMENSIONS

O 22 mm

PCD 295 mm

ØDi-1

227 mm



Last modified date: 23/05/2026

Bosta UK Ltd.
Reflection House
Olding Road
Bury St. Edmunds
Suffolk
IP33 3TA
T +44 (0) 1284 716580
E enquiries@bosta.co.uk
<http://www.bosta.com>