

# VDL Flange adaptor PVC-U 90 mm glue socket 10bar DN80 grey PN10 type B (7016326)



**V-L** Van de Lande

# TECHNICAL SPECIFICATIONS

Colour grey

Material PVC-U

DIN Standard DIN 2501

Flange PN10

Pressure 10 bar

Type B

Size 90 mm

Connection glue socket

Packaging 15 pcs

DN 80

Outer ø 51 mm

Thickness 20 mm

Bolt hole 19 mm

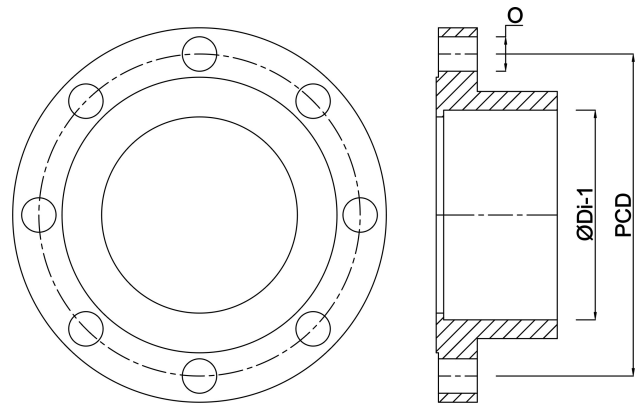
Holes 8

## DIMENSIONS

O 19 mm

PCD 152,5/159 mm

ØDi-1 90 mm



**Last modified date: 24/05/2026**

Bosta UK Ltd.  
Reflection House  
Olding Road  
Bury St. Edmunds  
Suffolk  
IP33 3TA  
T +44 (0) 1284 716580  
E [enquiries@bosta.co.uk](mailto:enquiries@bosta.co.uk)  
<http://www.bosta.com>