

Ball valve PVC-U 75 mm glue socket 10bar DN65 grey type 2000 Teflon (0111912)



TECHNICAL SPECIFICATIONS

Colour	grey
Type	2000 Teflon
Material	PVC-U
Operation	lever
Colour lever	red
Handle material	PVC-U
Housing construction	3-part
Material housing	PVC-U
Material seal	PTFE/EPDM
Connection	glue socket
Temperature range	0°C - 60°C
Pressure	10 bar
Size	75 mm
Length	232 mm
DN	65

DIMENSIONS

Ct-1 149 mm

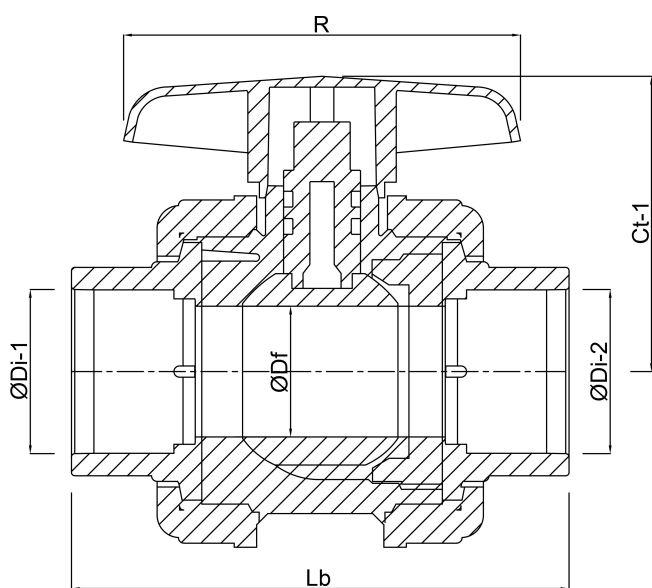
Lb 232 mm

R 184 mm

$\varnothing D_f$ 65 mm

$\varnothing D_{i-1}$ 75 mm

$\varnothing D_{i-2}$ 75 mm



Last modified date: 07/03/2026

Bosta UK Ltd.
Reflection House
Olding Road
Bury St. Edmunds
Suffolk
IP33 3TA
T +44 (0) 1284 716580
E enquiries@bosta.co.uk
<http://www.bosta.com>