

**Itap Ball valve brass nickel
plated 2" female thread 5bar
DVGW type 066 (0401086)**



TECHNICAL SPECIFICATIONS

Type 066

Material brass

Surface treatment nickel plated

Approval DVGW

Operation lever

Colour lever yellow

Handle material steel

Housing construction 2-part

Ball material hard chrome plated brass

Material housing brass

Material seal PTFE

Connection female thread

Max. temperature 60 °C

Minimum medium temperature -10 °C
(continuous)

Flow full

Pressure 5 bar

Size 2"

DIMENSIONS

Ct-1 97.3 mm

F-1 25.7 mm

F-2 25.7 mm

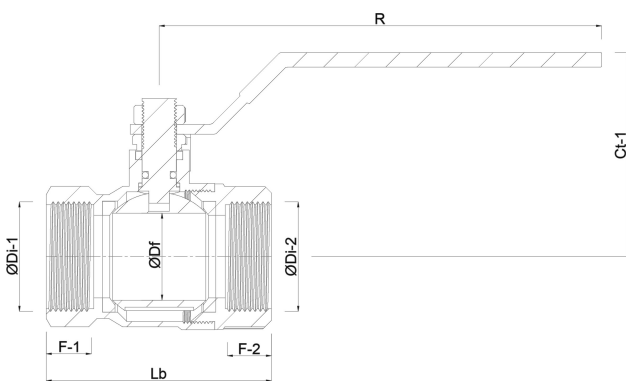
Lb 130 mm

R 157.8 mm

ØDf 50 mm

ØDi-1 2 "

ØDi-2 2 "



Last modified date: 23/05/2026

Bosta UK Ltd.
Reflection House

Olding Road
Bury St. Edmunds
Suffolk
IP33 3TA
T +44 (0) 1284 716580
E enquiries@bosta.co.uk
<http://www.bosta.com>