

Itap Ball valve brass nickel plated 1" female thread 5bar DVGW type 066 (0401083)



TECHNICAL SPECIFICATIONS

Type 066

Material brass

Surface treatment nickel plated

Approval DVGW

Operation lever

Colour lever yellow

Handle material steel

Housing construction 2-part

Ball material hard chrome plated brass

Material housing brass

Material seal PTFE

Connection female thread

Max. temperature 60 °C

Minimum medium temperature -10 °C
(continuous)

Flow full

Pressure 5 bar

Size 1"

DIMENSIONS

Ct-1 56.8 mm

F-1 19.1 mm

F-2 19.1 mm

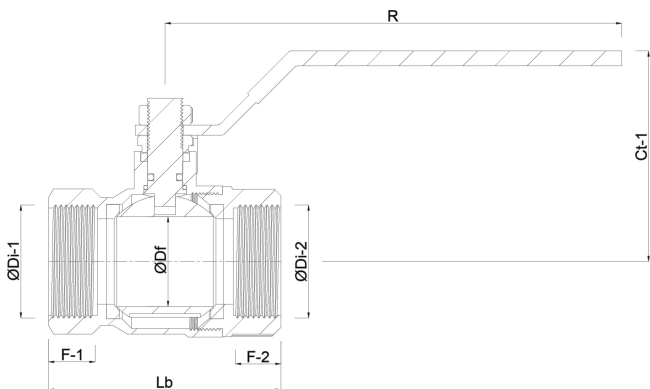
Lb 85 mm

R 113 mm

ØDf 25 mm

ØDi-1 1 "

ØDi-2 1 "



Last modified date: 07/03/2026

Bosta UK Ltd.
Reflection House

Olding Road
Bury St. Edmunds
Suffolk
IP33 3TA
T +44 (0) 1284 716580
E enquiries@bosta.co.uk
<http://www.bosta.com>