

DAB Multi-stage centrifugal pump stainless steel DN40 flange 5.6A 400VAC type NKV 10/9S T (7043201)



TECHNICAL SPECIFICATIONS

Material	stainless steel
----------	-----------------

Connection	flange
------------	--------

Type	NKV 10/9S T
------	-------------

Output Power	4 HP
--------------	------

Size	DN40
------	------

Voltage	400VAC
---------	--------

Power	6 kW
-------	------

Ampere	5.6 A
--------	-------

DIMENSIONS

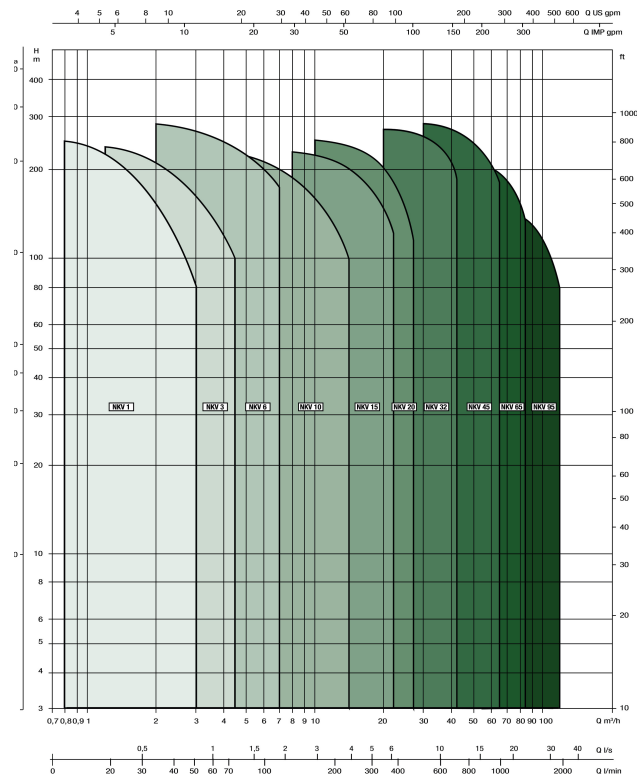
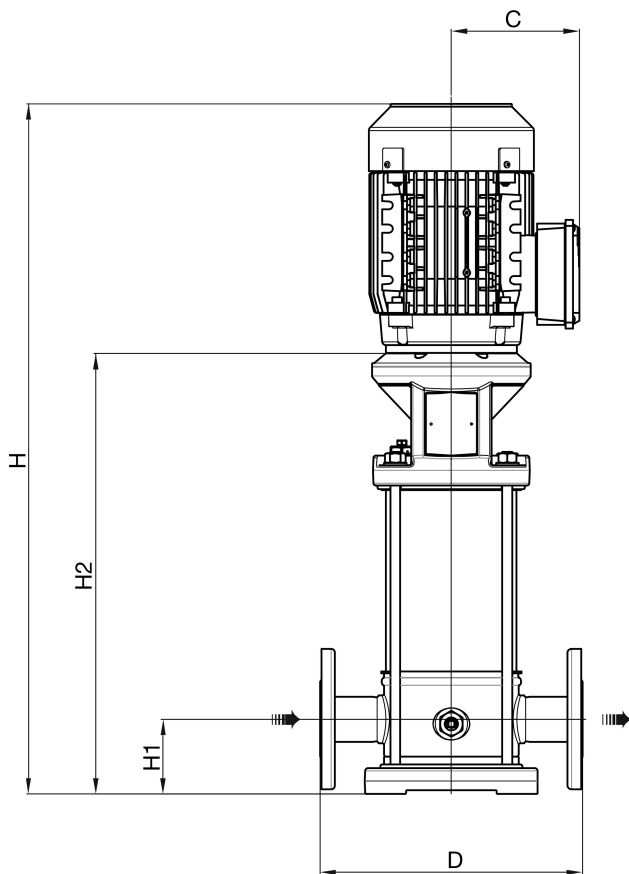
C	145 mm
---	--------

D	280 mm
---	--------

H	877 mm
---	--------

H-1	80 mm
-----	-------

H-2	571 mm
-----	--------



Last modified date: 27/05/2026

Bosta UK Ltd.
 Reflection House
 Olding Road
 Bury St. Edmunds
 Suffolk
 IP33 3TA
 T +44 (0) 1284 716580
 E enquiries@bosta.co.uk
<http://www.bosta.com>