

**Itap Ball valve brass nickel
plated 1" female thread x male
thread 5bar DN25 DVGW type
067 (0401164)**



TECHNICAL SPECIFICATIONS

| | |
|---|-----------------------------|
| Type | 067 |
| Material | brass |
| Surface treatment | nickel plated |
| Approval | DVGW |
| Operation | lever |
| Colour lever | yellow |
| Handle material | steel |
| Housing construction | 2-part |
| Ball material | hard chrome plated brass |
| Material housing | brass |
| Material seal | PTFE |
| Connection | female thread x male thread |
| Max. temperature | 60 °C |
| Minimum medium temperature (continuous) | -10 °C |
| Flow | full |
| Pressure | 5 bar |

Size 1"

DN 25

DIMENSIONS

Ct-1 58.8 mm

F-1 19.1 mm

F-2 19 mm

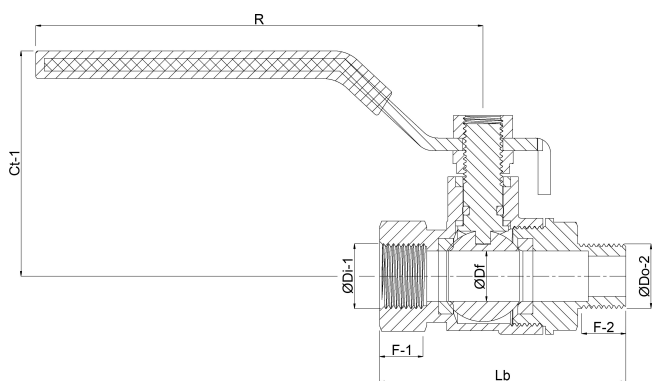
Lb 90,5 mm

R 113 mm

ØDf 25 mm

ØDi-1 1 "

ØDo-2 1 "



Last modified date: 07/03/2026

Bosta UK Ltd.
Reflection House
Olding Road
Bury St. Edmunds
Suffolk
IP33 3TA
T +44 (0) 1284 716580
E enquiries@bosta.co.uk
<http://www.bosta.com>