

# DAB Multi-stage centrifugal pump stainless steel DN40 flange 5.1A 230/400VAC type NKV 10/5S T (7043199)



# TECHNICAL SPECIFICATIONS

Material stainless steel

Connection flange

Type NKV 10/5S T

Output Power 2,5 HP

Size DN40

Voltage 230/400VAC

Power 1.85 kW

Ampere 5.1 A

# DIMENSIONS

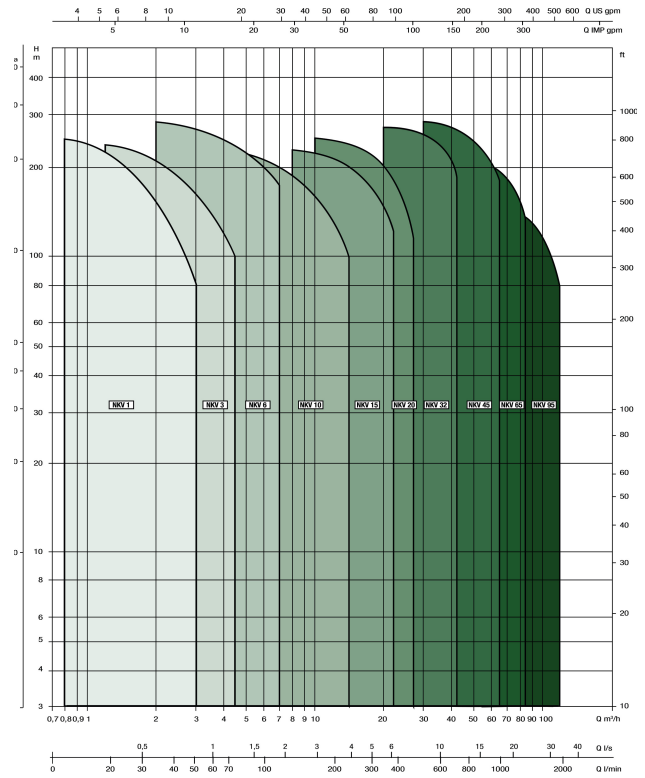
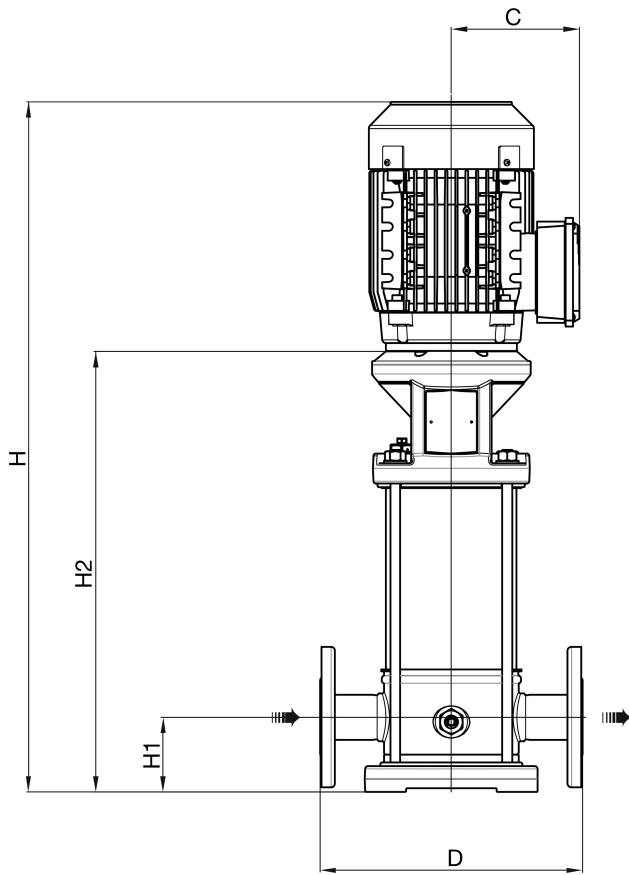
C 138 mm

D 280 mm

H 708 mm

H-1 80 mm

H-2 441 mm



**Last modified date: 27/05/2026**

Bosta UK Ltd.  
 Reflection House  
 Olding Road  
 Bury St. Edmunds  
 Suffolk  
 IP33 3TA  
 T +44 (0) 1284 716580  
 E [enquiries@bosta.co.uk](mailto:enquiries@bosta.co.uk)  
<http://www.bosta.com>