

**Ball valve PVC-U 1 1/2"
imperial glue socket 10bar
white type AK (0169998)**



TECHNICAL SPECIFICATIONS

Colour white

Type AK

Material PVC-U

Operation lever

Colour lever red

Handle material PVC-U

Housing construction 3-part

Ball material PVC-U

Material housing PVC-U

Material seal PE/EPDM

Connection imperial glue socket

Max. temperature 60 °C

Minimum medium temperature 0 °C
(continuous)

Pressure 10 bar

Size 1 1/2"

DIMENSIONS

Ct-1 93.5 mm

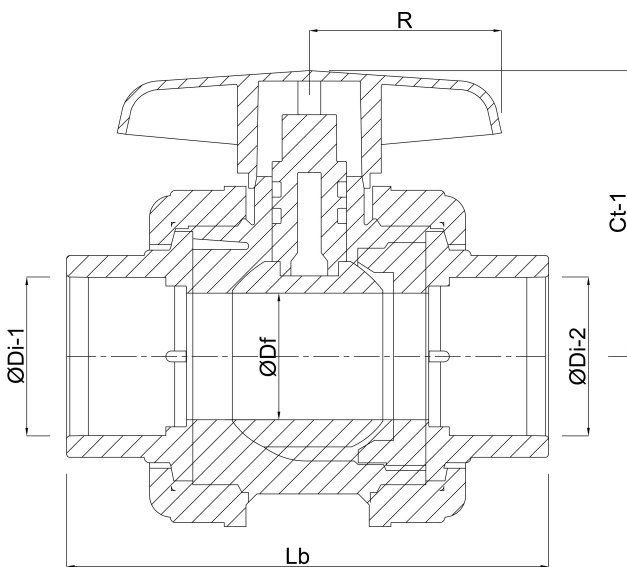
Lb 149 mm

R 65 mm

ØDf 39 mm

ØDi-1 1 1/2 "

ØDi-2 1 1/2 "



Last modified date: 23/05/2026

Bosta UK Ltd.
Reflection House
Olding Road
Bury St. Edmunds
Suffolk

IP33 3TA
T +44 (0) 1284 716580
E enquiries@bosta.co.uk
<http://www.bosta.com>