

# Profec Ball valve PVC-U 63 mm glue socket 16bar DN50 grey type Safe 600 Viton (0112139)



# TECHNICAL SPECIFICATIONS

Colour grey

Type Safe 600 Viton

Material PVC-U

Operation lever

Colour lever red

Handle material PVC-U

Housing construction 3-part

Material housing PVC-U

Material seal PTFE/viton

Connection glue socket

Max. temperature 60 °C

Minimum medium temperature 0 °C  
(continuous)

Pressure 16 bar

Size 63 mm

DN 50

# DIMENSIONS

Ct-1 107 mm

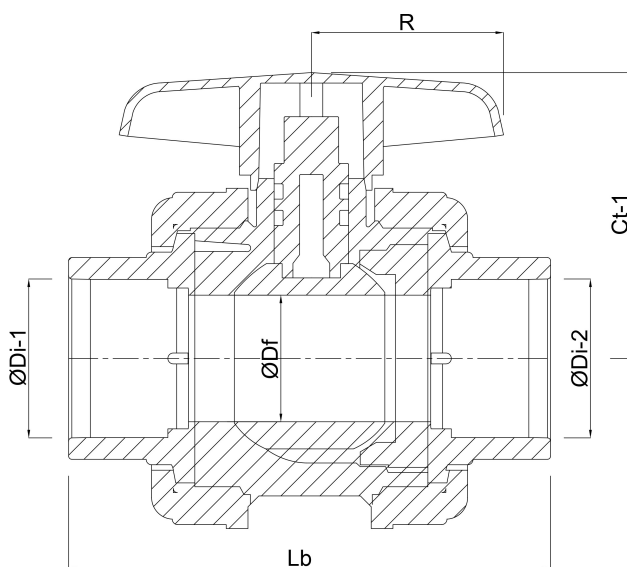
Lb 190 mm

R 74 mm

ØDf 50 mm

ØDi-1 63 mm

ØDi-2 63 mm



# PRODUCT INFORMATION

With secure ball.

**Last modified date: 23/05/2026**

Bosta UK Ltd.  
Reflection House  
Olding Road  
Bury St. Edmunds  
Suffolk  
IP33 3TA  
T +44 (0) 1284 716580  
E [enquiries@bosta.co.uk](mailto:enquiries@bosta.co.uk)  
<http://www.bosta.com>