

**Backing ring PP/steel PP 400
mm SDR11 16bar DN400 black
PN10 (7031735)**



TECHNICAL SPECIFICATIONS

Colour black

Material PP/steel

Surface treatment PP

Class SDR11

Pressure 16 bar

Size 400 mm

DN 400

Flange PN10

Outer ø 574 mm

Weight 17.74 kg

Thickness 46 mm

Bolt hole 26 mm

Holes 16

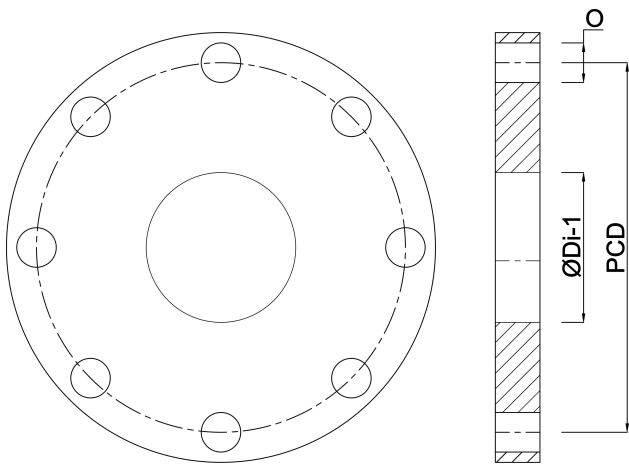
DIMENSIONS

O 26 mm

PCD 515 mm

ØDi-1

430 mm



Last modified date: 22/05/2026

Bosta UK Ltd.
Reflection House
Olding Road
Bury St. Edmunds
Suffolk
IP33 3TA
T +44 (0) 1284 716580
E enquiries@bosta.co.uk
<http://www.bosta.com>