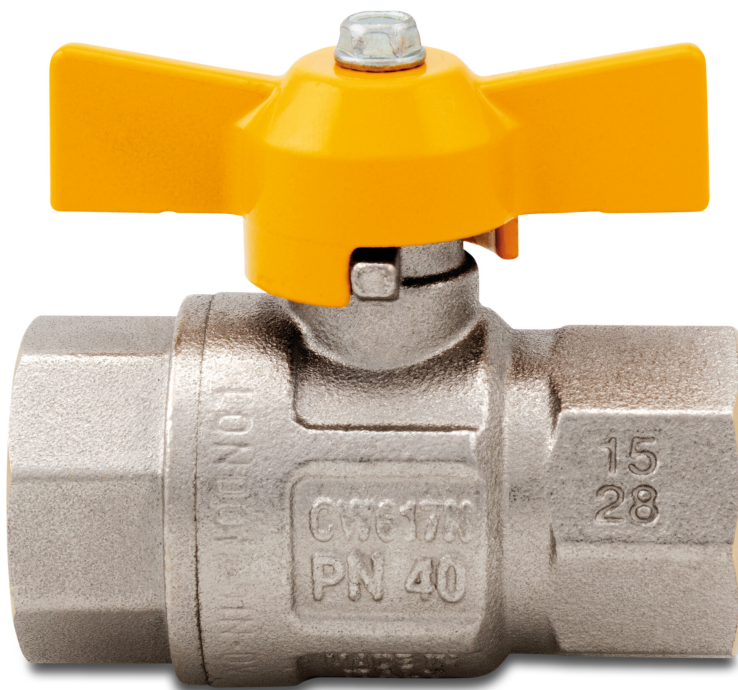


**Itap Ball valve brass nickel  
plated 3/4" female thread 5bar  
DN20 DVGW type 068  
(0401153)**



# TECHNICAL SPECIFICATIONS

Type 068

Material brass

Surface treatment nickel plated

Approval DVGW

Operation butterfly handle

Colour lever yellow

Handle material aluminium

Housing construction 2-part

Ball material hard chrome plated brass

Material housing brass

Material seal PTFE

Connection female thread

Max. temperature 60 °C

Minimum medium temperature -10 °C  
(continuous)

Flow full

Pressure 5 bar

Size	3/4"
------	------

DN	20
----	----

## DIMENSIONS

Ct-1	46.8 mm
------	---------

F-1	16.3 mm
-----	---------

F-2	16.3 mm
-----	---------

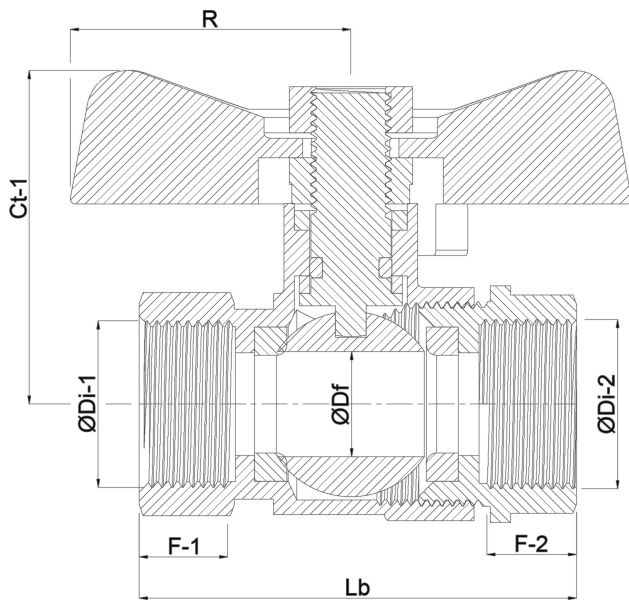
Lb	68 mm
----	-------

R	31 mm
---	-------

ØDf	20 mm
-----	-------

ØDi-1	3/4 "
-------	-------

ØDi-2	3/4 "
-------	-------



**Last modified date: 23/05/2026**

Bosta UK Ltd.  
Reflection House  
Olding Road  
Bury St. Edmunds  
Suffolk  
IP33 3TA  
T +44 (0) 1284 716580  
E [enquiries@bosta.co.uk](mailto:enquiries@bosta.co.uk)  
<http://www.bosta.com>