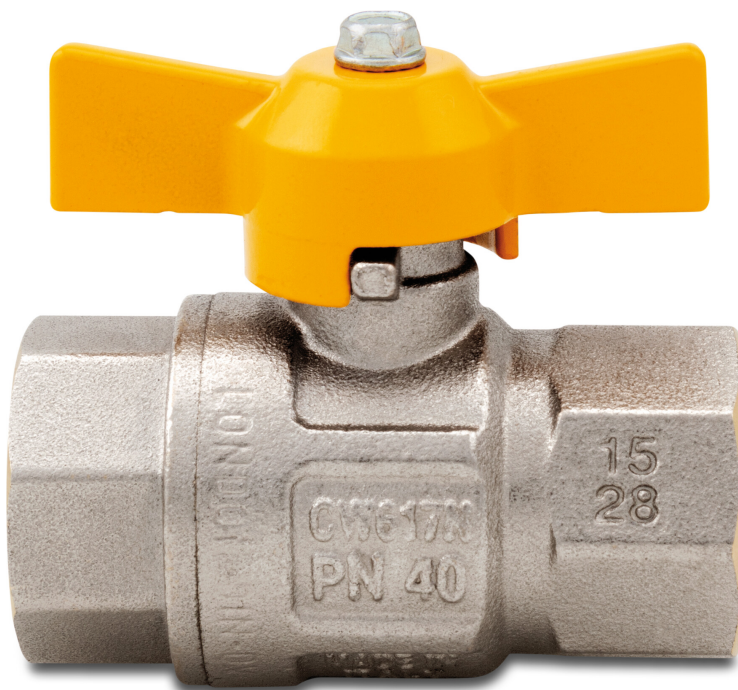


**Itap Ball valve brass nickel
plated 1/2" female thread 5bar
DN15 DVGW type 068
(0401152)**



TECHNICAL SPECIFICATIONS

Type 068

Material brass

Surface treatment nickel plated

Approval DVGW

Operation butterfly handle

Colour lever yellow

Handle material aluminium

Housing construction 2-part

Ball material hard chrome plated brass

Material housing brass

Material seal PTFE

Connection female thread

Max. temperature 60 °C

Minimum medium temperature -10 °C
(continuous)

Flow full

Pressure 5 bar

Size 1/2"

DN 15

DIMENSIONS

Lb 61 mm

ØDi-1 1/2 "

ØDi-2 1/2 "

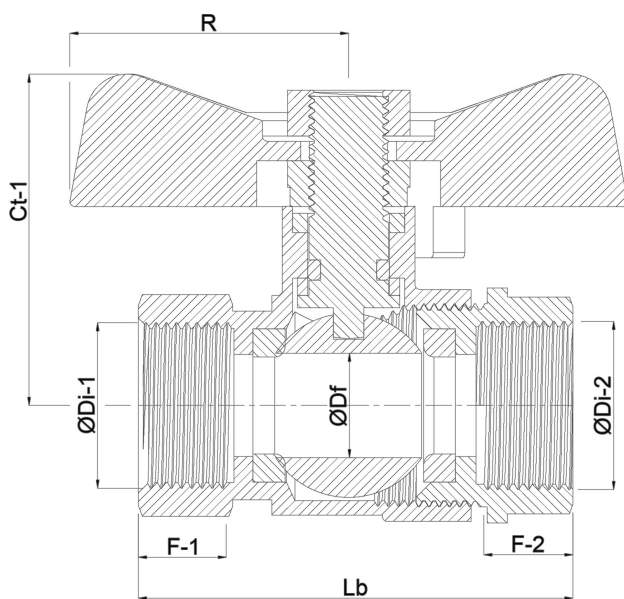
F-1 15 mm

F-2 15 mm

Ct-1 43.8 mm

R 27 mm

ØDf 15 mm



Last modified date: 02/10/2025

Bosta UK Ltd.
Reflection House
Olding Road
Bury St. Edmunds
Suffolk
IP33 3TA
T +44 (0) 1284 716580
E enquiries@bosta.co.uk
<http://www.bosta.com>