

**Flange stainless steel 316  
DN125 x 139,7 mm DIN flange  
x butt welding 10bar DN125  
PN10/16 (0080639)**



# TECHNICAL SPECIFICATIONS

Material stainless steel 316

Connection DIN flange x butt welding

DIN Standard DIN 2576

Pressure 10 bar

Size DN125 x 139,7 mm

DN 125

Inner ø 141,5 mm

Flange PN10/16

Diameter 139,7 mm

Outer ø 250 mm

Weight 5.5 kg

Thickness 22 mm

Bolt hole 18 mm

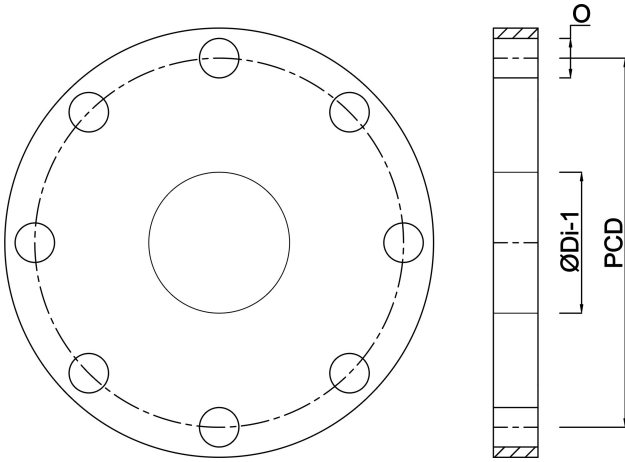
Holes 8

## DIMENSIONS

O 18 mm

PCD 210 mm

ØDi-1 141.5 mm



**Last modified date: 22/05/2026**

Bosta UK Ltd.  
Reflection House  
Olding Road  
Bury St. Edmunds  
Suffolk  
IP33 3TA  
T +44 (0) 1284 716580  
E [enquiries@bosta.co.uk](mailto:enquiries@bosta.co.uk)  
<http://www.bosta.com>