

Profec Backing ring PVC-U 250 mm 10bar DN225 grey PN10 (0110931)



TECHNICAL SPECIFICATIONS

Colour grey

Material PVC-U

Suitable for 0110911

Suitable for

Size 250 mm

Bolt M40x140

Packaging 10 pcs

DN 225

Inner ø 278 mm

Flange PN10

Outer ø 395 mm

Weight 2.07 kg

Thickness 36 mm

Pressure 10 bar

Bolt hole 22 mm

Holes 12

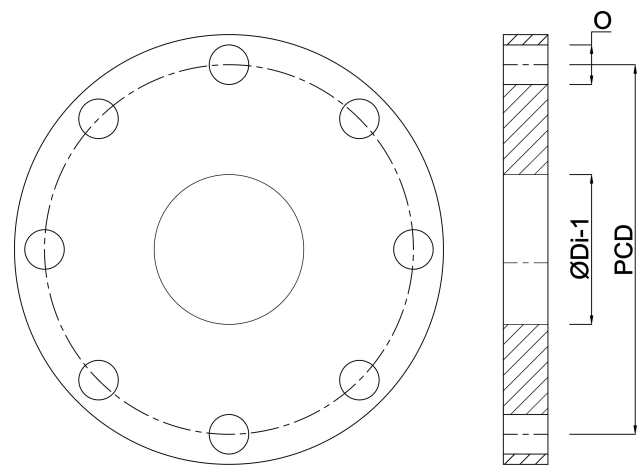
DIMENSIONS

Db 395 mm

O 22 mm

PCD 350 mm

ØDi-1 278 mm



Last modified date: 23/05/2026

Bosta UK Ltd.
Reflection House
Olding Road
Bury St. Edmunds
Suffolk
IP33 3TA
T +44 (0) 1284 716580
E enquiries@bosta.co.uk
<http://www.bosta.com>