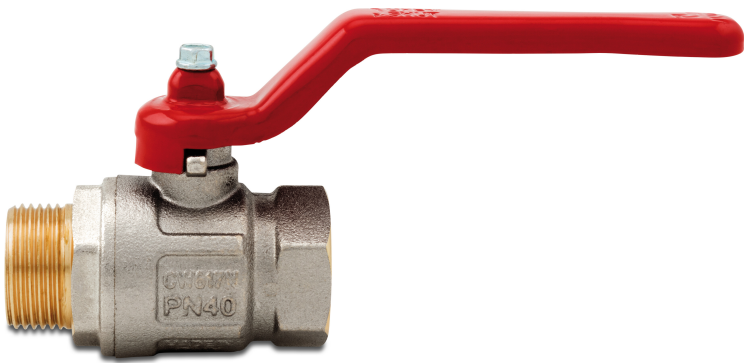


# Itap Ball valve brass nickel plated 1/4" female thread x male thread 50bar type 091 (0402331)



# TECHNICAL SPECIFICATIONS

Type	091
Material	brass
Surface treatment	nickel plated
Operation	lever
Colour lever	red
Handle material	steel
Housing construction	2-part
Ball material	hard chrome plated brass
Material housing	brass
Material seal	PTFE
Connection	female thread x male thread
Max. temperature	150 °C
Minimum medium temperature (continuous)	-20 °C
Flow	full
Size	1/4"
Pressure	50 bar

# DIMENSIONS

Ct-1 37 mm

F-1 10 mm

F-2 10.5 mm

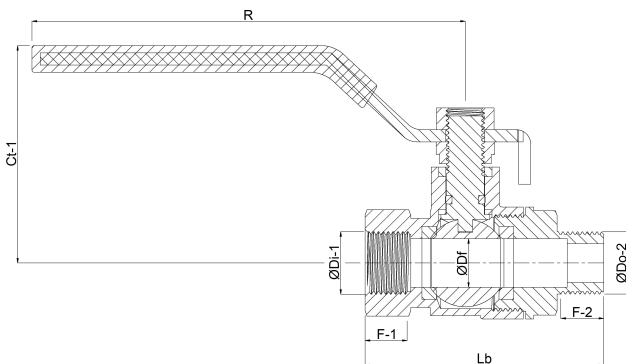
Lb 54 mm

R 80 mm

ØDf 8 mm

ØDi-1 1/4 "

ØDo-2 1/4 "



**Last modified date: 23/05/2026**

Bosta UK Ltd.  
Reflection House  
Olding Road  
Bury St. Edmunds  
Suffolk

IP33 3TA  
T +44 (0) 1284 716580  
E [enquiries@bosta.co.uk](mailto:enquiries@bosta.co.uk)  
<http://www.bosta.com>