

**Ball valve brass nickel plated 1"  
female thread 210bar type  
Hipress 2321 (0401278)**



# TECHNICAL SPECIFICATIONS

Type	Hipress 2321
Material	brass
Surface treatment	nickel plated
Operation	lever
Colour lever	black
Handle material	aluminium
Housing construction	2-part
Material housing	brass
Material seal	PTFE
Connection	female thread
Temperature range	-10°C - 80°C
Pressure	210 bar
Size	1"
Norm	UNI/ISO 7/4

## DIMENSIONS

Ct-1	77 mm
------	-------

F-1 19.1 mm

F-2 19.1 mm

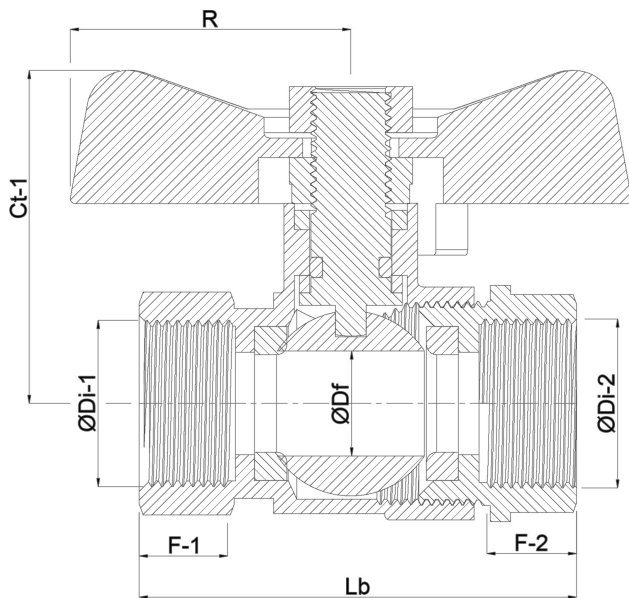
Lb 105 mm

R 110 mm

ØDf 25 mm

ØDi-1 1 "

ØDi-2 1 "



**Last modified date: 23/05/2026**

Bosta UK Ltd.  
Reflection House  
Olding Road  
Bury St. Edmunds  
Suffolk  
IP33 3TA

T +44 (0) 1284 716580  
E [enquiries@bosta.co.uk](mailto:enquiries@bosta.co.uk)  
<http://www.bosta.com>