

**Flange stainless steel 316
DN80 x 88,9 mm DIN flange x
butt welding 10bar DN80
PN10/16 (0080637)**



TECHNICAL SPECIFICATIONS

Material stainless steel 316

Connection DIN flange x butt welding

DIN Standard DIN 2576

Pressure 10 bar

Size DN80 x 88,9 mm

DN 80

Inner ø 90,5 mm

Flange PN10/16

Diameter 88,9 mm

Outer ø 200 mm

Weight 3.5 kg

Thickness 20 mm

Bolt hole 18 mm

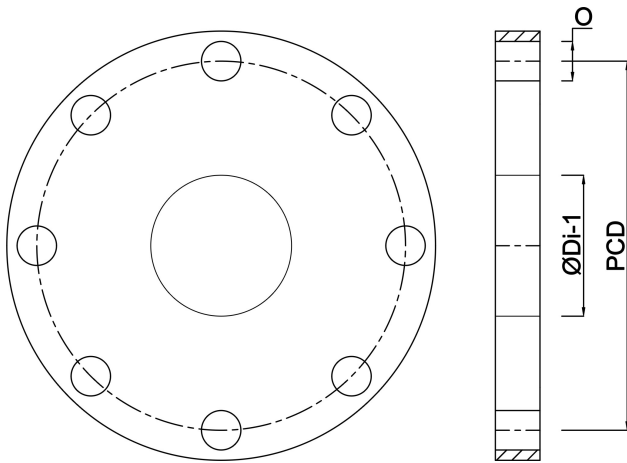
Holes 8

DIMENSIONS

O 18 mm

PCD 160 mm

ØDi-1 90.5 mm



Last modified date: 22/05/2026

Bosta UK Ltd.
Reflection House
Olding Road
Bury St. Edmunds
Suffolk
IP33 3TA
T +44 (0) 1284 716580
E enquiries@bosta.co.uk
<http://www.bosta.com>