

**Drainage reducer T-piece 45°  
PVC-U 125 mm x 110 mm x 125  
mm SN4 ring seal grey  
KOMO/BENOR (0360275)**

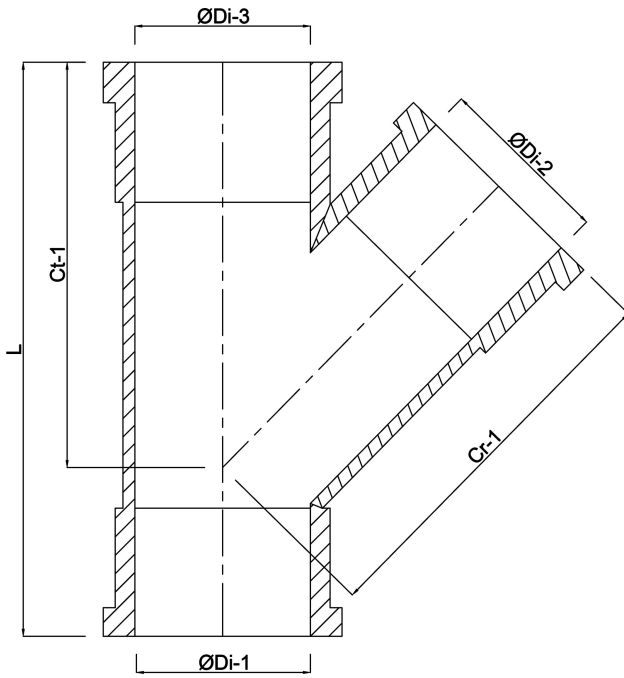


# TECHNICAL SPECIFICATIONS

Colour	grey
Material	PVC-U
Approval	KOMO/BENOR
Connection	ring seal
Size	125 mm x 110 mm x 125 mm
SN	SN4

## DIMENSIONS

Cr-1	212 mm
Ct-1	212 mm
L	301 mm
ØDi-1	125 mm
ØDi-2	110 mm
ØDi-3	125 mm
β	45 °



**Last modified date: 23/05/2026**

Bosta UK Ltd.  
Reflection House  
Olding Road  
Bury St. Edmunds  
Suffolk  
IP33 3TA  
T +44 (0) 1284 716580  
E [enquiries@bosta.co.uk](mailto:enquiries@bosta.co.uk)  
<http://www.bosta.com>