

**Profec 2-piece ball valve
stainless steel 316 1" female
thread x male thread 50bar
(0091012)**



TECHNICAL SPECIFICATIONS

Material	stainless steel 316
Operation	lever
Colour lever	blue
Handle material	stainless steel
Housing construction	2-part
Material housing	stainless steel
Material seal	PTFE
Connection	female thread x male thread
Pressure	50 bar
Size	1"

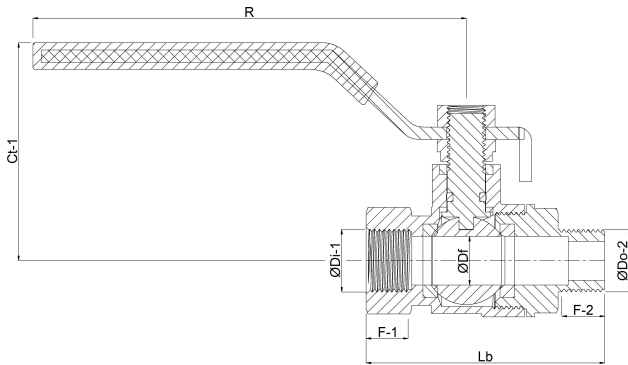
DIMENSIONS

Ct-1	68 mm
F-1	18.5 mm
F-2	17 mm
Lb	91,5 mm
R	130 mm

ØDf 25 mm

ØDi-2 1 "

ØDo-1 1 "



Last modified date: 22/05/2026

Bosta UK Ltd.
Reflection House
Olding Road
Bury St. Edmunds
Suffolk
IP33 3TA
T +44 (0) 1284 716580
E enquiries@bosta.co.uk
<http://www.bosta.com>