

# VDL Ball valve PVC-U 32 mm glue socket 16bar grey type DIL (0100845)



**VDL** Van de Lande

# TECHNICAL SPECIFICATIONS

Colour grey

Type DIL

Material PVC-U

Operation lever

Colour lever orange

Handle material PVC-U

Housing construction 3-part

Material seal EPDM

Connection glue socket

Temperature range 0°C - 60°C

Size 32 mm

Pressure 16 bar

# DIMENSIONS

Ct-1 66 mm

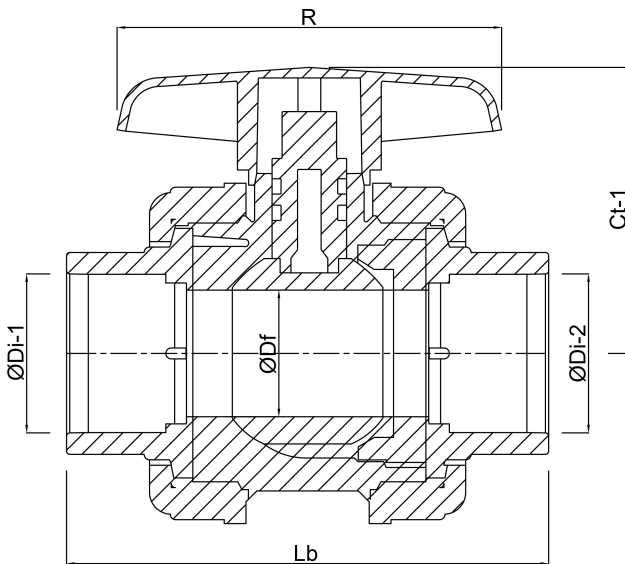
Lb 108 mm

R 94 mm

ØDf 25 mm

ØDi-1 32 mm

ØDi-2 32 mm



**Last modified date: 24/05/2026**

Bosta UK Ltd.  
Reflection House  
Olding Road  
Bury St. Edmunds  
Suffolk  
IP33 3TA  
T +44 (0) 1284 716580  
E [enquiries@bosta.co.uk](mailto:enquiries@bosta.co.uk)  
<http://www.bosta.com>