

DAB Multi-stage centrifugal pump stainless steel DN65 flange 10.2A 400VAC type NKV 32/3-2 T (7043206)



TECHNICAL SPECIFICATIONS

Material	stainless steel
----------	-----------------

Connection	flange
------------	--------

Type	NKV 32/3-2 T
------	--------------

Output Power	7,5 HP
--------------	--------

Size	DN65
------	------

Voltage	400VAC
---------	--------

Power	5.5 kW
-------	--------

Ampere	10.2 A
--------	--------

DIMENSIONS

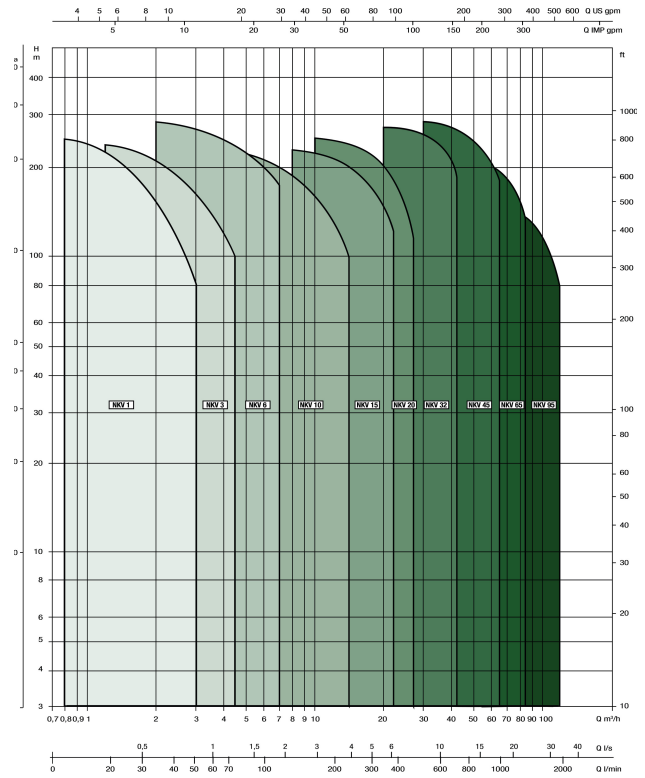
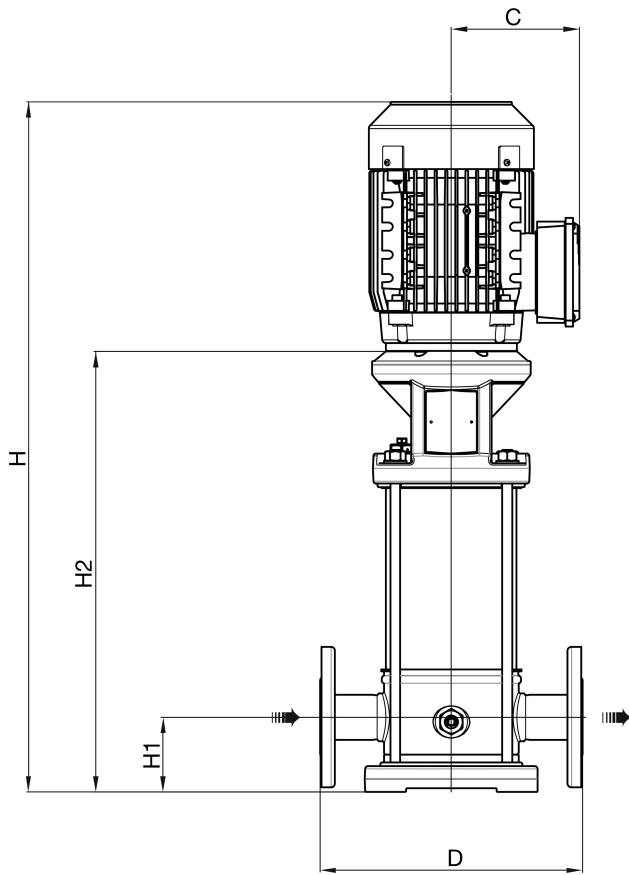
C	188 mm
---	--------

D	320 mm
---	--------

H	1243 mm
---	---------

H-1	105 mm
-----	--------

H-2	806 mm
-----	--------



Last modified date: 27/05/2026

Bosta UK Ltd.
 Reflection House
 Olding Road
 Bury St. Edmunds
 Suffolk
 IP33 3TA
 T +44 (0) 1284 716580
 E enquiries@bosta.co.uk
<http://www.bosta.com>