

Ball valve PVC-U 63 mm glue socket 10bar DN50 grey type 2000 Teflon (0111911)



TECHNICAL SPECIFICATIONS

Colour	grey
Type	2000 Teflon
Material	PVC-U
Operation	lever
Colour lever	red
Handle material	PVC-U
Housing construction	3-part
Material housing	PVC-U
Material seal	PTFE/EPDM
Connection	glue socket
Temperature range	0°C - 60°C
Pressure	10 bar
Size	63 mm
Length	198 mm
DN	50

DIMENSIONS

Ct-1 109 mm

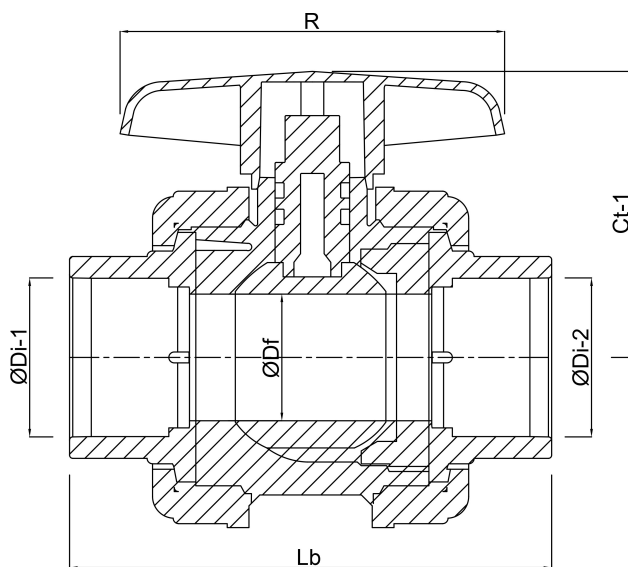
Lb 198 mm

R 152 mm

\varnothing Df 50 mm

\varnothing Di-1 63 mm

\varnothing Di-2 63 mm



Last modified date: 23/05/2026

Bosta UK Ltd.
Reflection House
Olding Road
Bury St. Edmunds
Suffolk
IP33 3TA
T +44 (0) 1284 716580
E enquiries@bosta.co.uk
<http://www.bosta.com>