

**Profec Flange PVC-U DN20 x
3/4" DIN flange x female thread
16bar DN20 grey PN10/16
(0111161)**

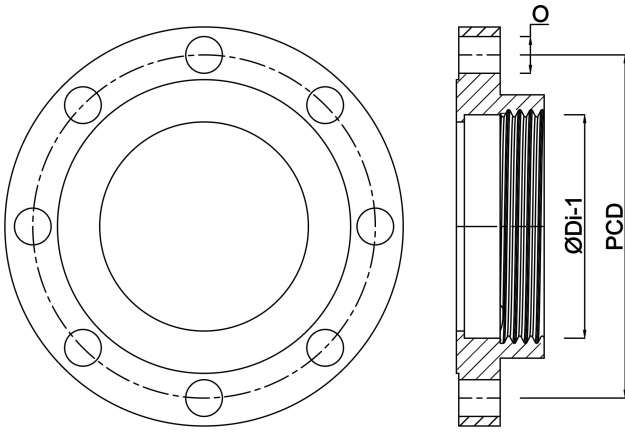


TECHNICAL SPECIFICATIONS

Colour	grey
Material	PVC-U
Connection	DIN flange x female thread
Flange	PN10/16
Pressure	16 bar
Size	DN20 x 3/4"
DN	20
Outer ø	105 mm
Weight	0.101 kg
Thickness	12 mm
Bolt hole	14 mm
Holes	4

DIMENSIONS

O	14 mm
PCD	75 mm
ØDi-1	3/4 "



Last modified date: 23/05/2026

Bosta UK Ltd.
Reflection House
Olding Road
Bury St. Edmunds
Suffolk
IP33 3TA
T +44 (0) 1284 716580
E enquiries@bosta.co.uk
<http://www.bosta.com>