

# Profec Ball valve brass nickel plated 1/4" female thread 25bar type 100 VA (0403030)



# TECHNICAL SPECIFICATIONS

Type 100 VA

Material brass

Surface treatment nickel plated

Operation lever

Colour lever red

Handle material stainless steel

Ball material hard chrome plated brass

Material housing brass

Material seal PTFE

Connection female thread

Temperature range -20°C - 120°C

Pressure 25 bar

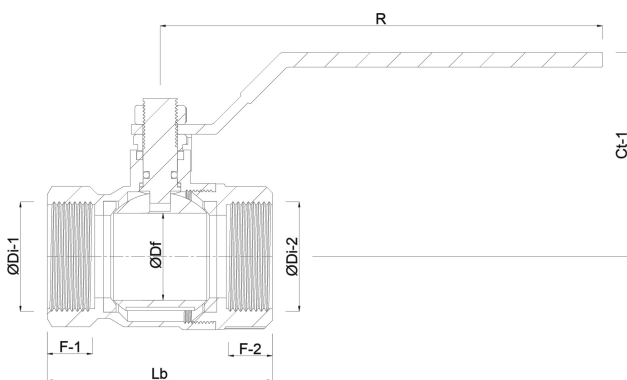
Size 1/4"

## DIMENSIONS

Ct-1 42 mm

F-1 9.5 mm

F-2	9.5 mm
Lb	41.5 mm
R	89 mm
ØDf	10 mm
ØDi-1	1/4 "
ØDi-2	1/4 "



**Last modified date: 21/05/2026**

Bosta UK Ltd.  
 Reflection House  
 Olding Road  
 Bury St. Edmunds  
 Suffolk  
 IP33 3TA  
 T +44 (0) 1284 716580  
 E [enquiries@bosta.co.uk](mailto:enquiries@bosta.co.uk)  
<http://www.bosta.com>