

Ocean Inlet fitting ABS 1 1/2" male thread white stainless steel inserts A4 type M5 with ss M5 thread (7013561)



ocean.

TECHNICAL SPECIFICATIONS

Colour white

Type M5

Material ABS/stainless steel

Suitable for liner pools

Model stainless steel inserts A4

Connection male thread

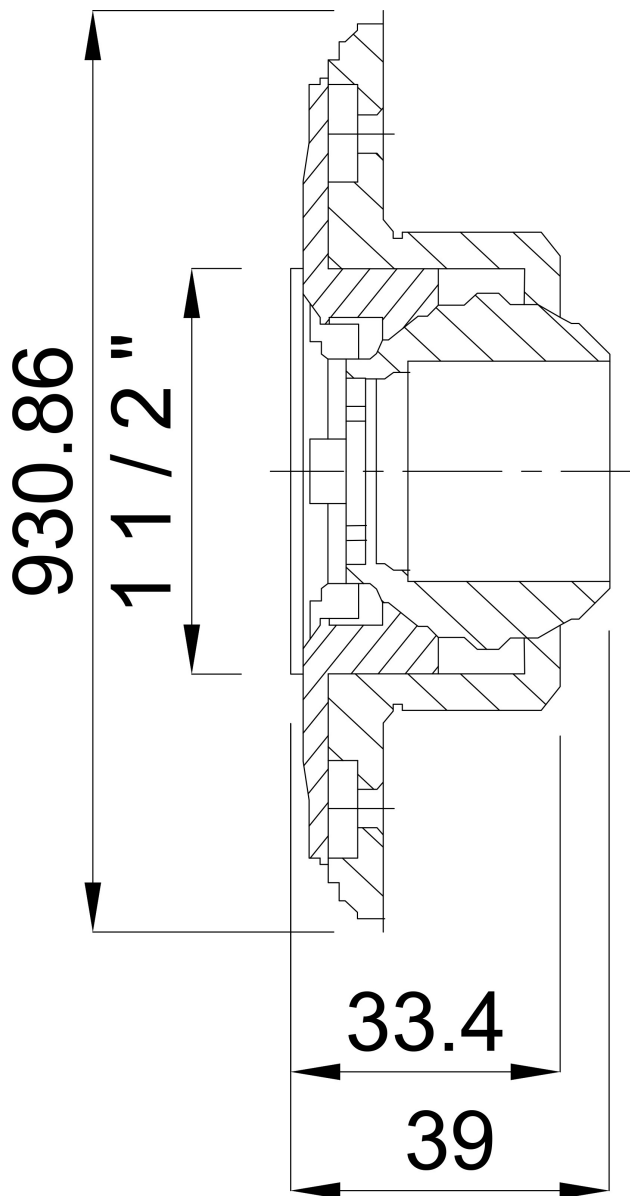
Size 1 1/2"

Type with ss M5 thread

Length 39 mm

DIMENSIONS

H 107.5 mm



Last modified date: 26/05/2026

Bosta UK Ltd.
Reflection House
Olding Road
Bury St. Edmunds
Suffolk
IP33 3TA
T +44 (0) 1284 716580
E enquiries@bosta.co.uk

<http://www.bosta.com>