

**Ball valve PVC-U 1 1/2"  
imperial glue socket 16bar  
white type Industrial (7037502)**

# TECHNICAL SPECIFICATIONS

Colour	white
Type	Industrial
Material	PVC-U
Operation	lever
Colour lever	red
Handle material	ABS/stainless steel
Housing construction	3-part
Ball material	PVC-U
Material housing	PE/EPDM
Material seal	EPDM
Connection	imperial glue socket
Max. temperature	60 °C
Minimum medium temperature (continuous)	0 °C
Pressure	16 bar
Size	1 1/2"

# DIMENSIONS

Ct-1 93 mm

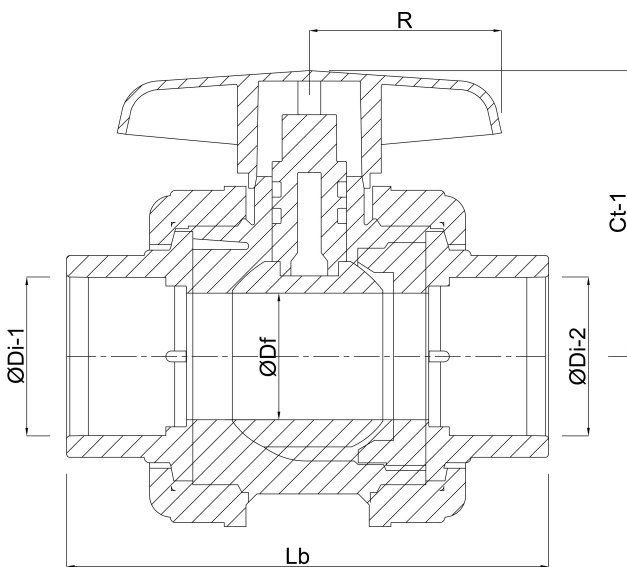
Lb 148 mm

R 65 mm

ØDf 40 mm

ØDi-1 1 1/2 "

ØDi-2 1 1/2 "



**Last modified date: 05/06/2026**

Bosta UK Ltd.  
Reflection House  
Olding Road  
Bury St. Edmunds  
Suffolk

IP33 3TA  
T +44 (0) 1284 716580  
E [enquiries@bosta.co.uk](mailto:enquiries@bosta.co.uk)  
<http://www.bosta.com>