

**Flotide Pool pump 50 mm / 1
1/2" metric/imperial glue
socket 4,7A 230VAC black type
SS100 UK plug (7043355)**



FLOTIDE

TECHNICAL SPECIFICATIONS

Colour	black
Shaft	stainless steel 316
Material seal	stainless steel 316
Connection	metric/imperial glue socket
Type	UK plug
Voltage	230VAC
Max. temperature	40 °C
Width	211 mm
Height	340 mm
Frequency	50 Hz
IP value	IPX5
Type	SS100
Capacity	15,2 m ³ /h
Output Power	1,00 HP
Max. head	8 m
Size	50 mm / 1 1/2"
Length	552 mm

Weight 9.09 kg

Power 0.75 kW

Ampere 4,7 A

Noise level 65 dB

BEP Capacity 12

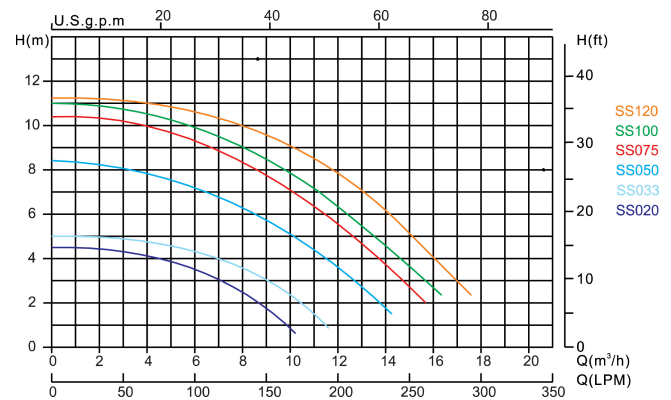
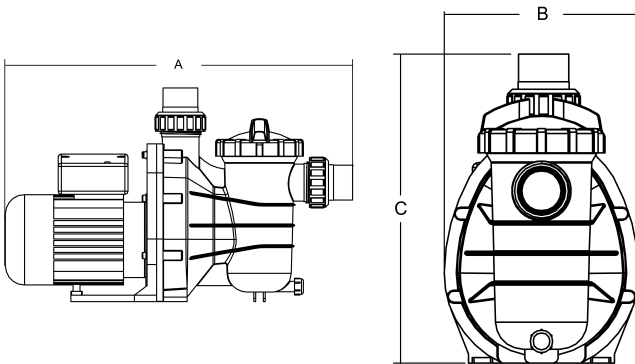
BEP Head 4.5

DIMENSIONS

A 552 mm

B 211 mm

C 340 mm



PRODUCT INFORMATION

This pump is designed for medium sized domestic swimming pools. Low energy consumption, quiet running.

Features:

- Connection: metric / imperial glue socket
- Transparent lid for easy checking
- NSK bearing
- Insulation: Class B
- IP55 protection
- Built in thermal protection
- Supplied including metric & imperial unions
- Supplied with RCD differential plug
- UK 3-pin plug included

Last modified date: 08/05/2026

Bosta UK Ltd.
Reflection House
Olding Road
Bury St. Edmunds
Suffolk
IP33 3TA
T +44 (0) 1284 716580
E enquiries@bosta.co.uk
<http://www.bosta.com>