

**DAB Submersible pump  
reinforced plastic 1 1/4" male  
thread 2,6A 230VAC  
green/black type Verty Nova  
400M with float switch  
(7038198)**



# TECHNICAL SPECIFICATIONS

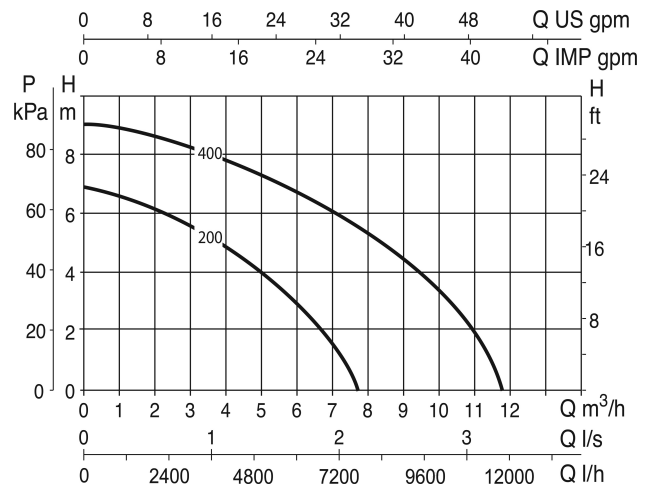
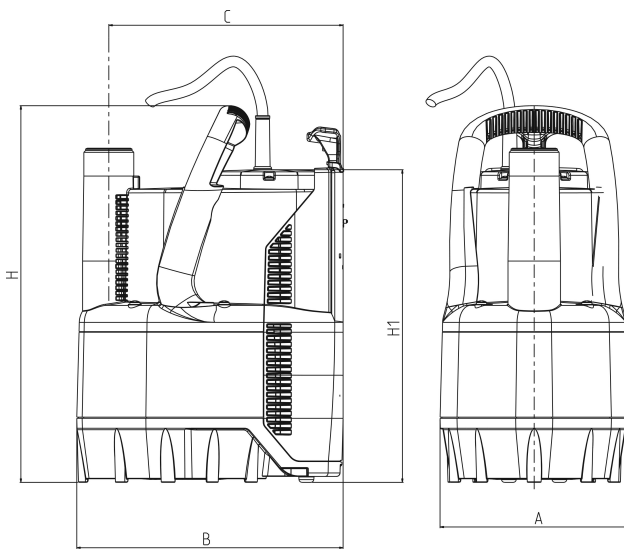
Colour	green/black
Material	reinforced plastic
Pump body	technopolymer
Material impeller 1	technopolymer
Connection	male thread
Float	integrated
Voltage	230VAC
Max. temperature	35 °C
Minimum medium temperature (continuous)	0 °C
Type	Verty Nova 400M
Output Power	0,55 HP
Max. head	9 m
Size	1 1/4"
Power	0.4 kW
Ampere	2,6 A
Max flow rate	10 m <sup>3</sup> /h

# DIMENSIONS

H-1 354 mm

L 225 mm

W-1 158 mm



**Last modified date: 27/05/2026**

Bosta UK Ltd.  
 Reflection House  
 Olding Road  
 Bury St. Edmunds  
 Suffolk  
 IP33 3TA  
 T +44 (0) 1284 716580  
 E [enquiries@bosta.co.uk](mailto:enquiries@bosta.co.uk)  
<http://www.bosta.com>