

Heat exchanger stainless steel 316 male thread BDW16DWHx60 (7008067)



TECHNICAL SPECIFICATIONS

Material stainless steel 316

Pressure secondary system 16 bar

Connection male thread

Pressure primary system 16 bar

Model BDW16DWHx60

Capacity kW/h at $\Delta t=60^{\circ}\text{C}$ 60 kWh

Flow primary system 50 ltr/min

Flow secondary system 50 ltr/min

Size secondary system 1 1/4 "

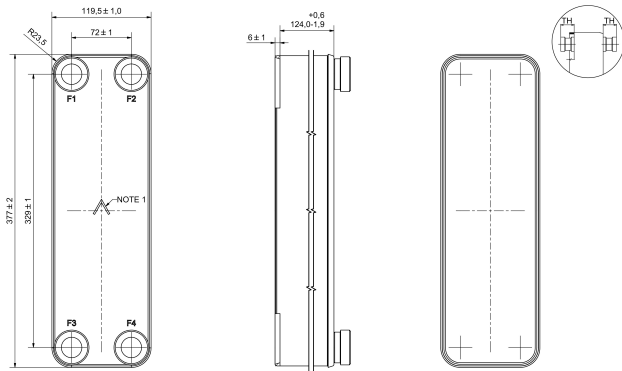
Size primary system 1 1/4 "

DIMENSIONS

A 377 mm

B 118 mm

C 329 mm



PRODUCT INFORMATION

The Swep heat exchanger is a double unit with dry separation. The heat exchanger is equipped with both the Kiwa and also Belgaqua certificate. The material used (acid-resistant, stainless steel AISI 316) was chosen because of its use in conditions where there is a high risk of weathering.

Last modified date: 24/05/2026

Bosta UK Ltd.
Reflection House
Olding Road
Bury St. Edmunds
Suffolk
IP33 3TA
T +44 (0) 1284 716580
E enquiries@bosta.co.uk
<http://www.bosta.com>