

VIR Ball valve PP 3/4" female thread 16bar DN20 black type 228 Arctic (7026936)



TECHNICAL SPECIFICATIONS

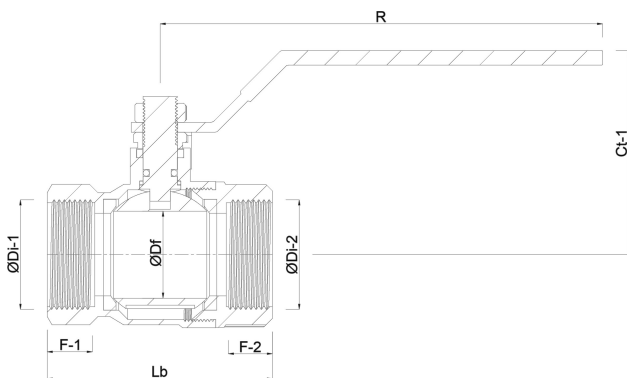
Colour	black
Type	228 Arctic
Material	PP
Colour lever	blue
Connection	female thread
Temperature range	-20°C - 75°C
Pressure	16 bar
Size	3/4"
DN	20

DIMENSIONS

Ct-1	59 mm
F-1	17.5 mm
F-2	17.5 mm
Lb	71,5 mm
R	100 mm
ØDf	20 mm

ØDi-1 3/4 "

ØDi-2 3/4 "



Last modified date: 26/05/2026

Bosta UK Ltd.
Reflection House
Olding Road
Bury St. Edmunds
Suffolk
IP33 3TA
T +44 (0) 1284 716580
E enquiries@bosta.co.uk
<http://www.bosta.com>