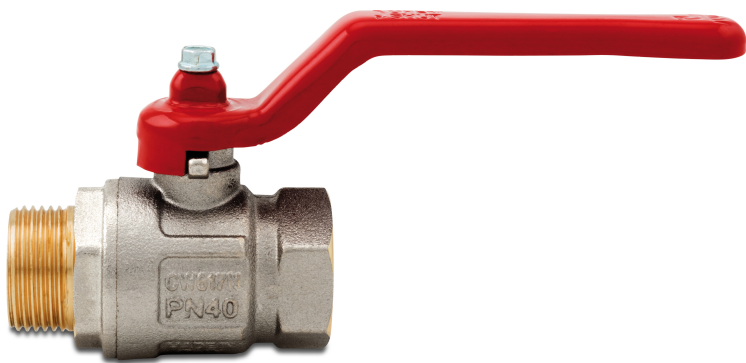


**Itap Ball valve brass nickel  
plated 1 1/4" female thread x  
male thread 30bar type 091  
(0402336)**



# TECHNICAL SPECIFICATIONS

Type	091
Material	brass
Surface treatment	nickel plated
Operation	lever
Colour lever	red
Handle material	steel
Housing construction	2-part
Ball material	hard chrome plated brass
Material housing	brass
Material seal	PTFE
Connection	female thread x male thread
Max. temperature	150 °C
Minimum medium temperature (continuous)	-20 °C
Flow	full
Size	1 1/4"
Pressure	30 bar

# DIMENSIONS

Ct-1 75 mm

F-1 17 mm

F-2 17 mm

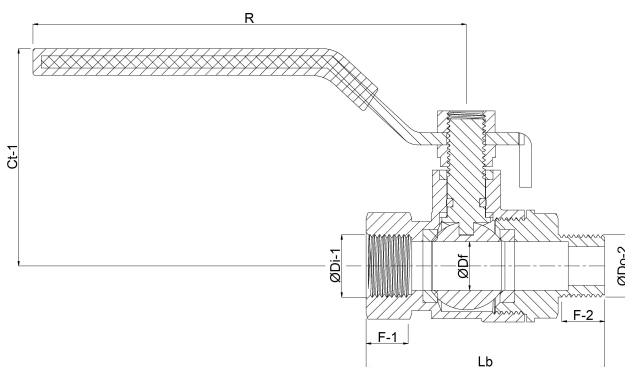
Lb 91,5 mm

R 138 mm

ØDf 32 mm

ØDi-1 1 1/4 "

ØDo-2 1 1/4 "



**Last modified date: 23/05/2026**

Bosta UK Ltd.  
Reflection House  
Olding Road  
Bury St. Edmunds  
Suffolk

IP33 3TA  
T +44 (0) 1284 716580  
E [enquiries@bosta.co.uk](mailto:enquiries@bosta.co.uk)  
<http://www.bosta.com>