

# VDL Ball valve PVC-U 63 mm glue socket 16bar DN50 grey type EIL viton (7018372)



**VDL** Van de Lande

# TECHNICAL SPECIFICATIONS

Colour grey

Type EIL viton

Material PVC-U

Operation lever

Colour lever green

Handle material PVC-U

Housing construction 2-part

Material housing PVC-U

Material seal viton

Connection glue socket

Temperature range 0°C - 60°C

Pressure 16 bar

Size 63 mm

DN 50

## DIMENSIONS

Ct-1 103 mm

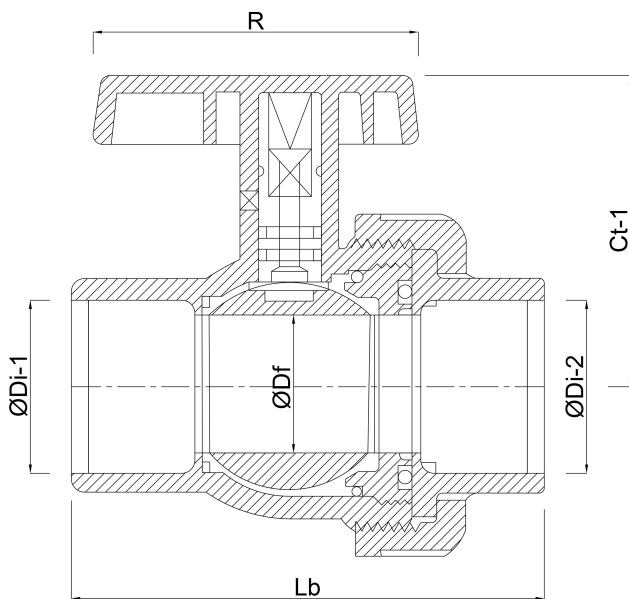
Lb 170 mm

R 134 mm

ØDf 50 mm

ØDi-1 63 mm

ØDi-2 63 mm



**Last modified date: 25/05/2026**

Bosta UK Ltd.  
Reflection House  
Olding Road  
Bury St. Edmunds  
Suffolk  
IP33 3TA  
T +44 (0) 1284 716580  
E [enquiries@bosta.co.uk](mailto:enquiries@bosta.co.uk)  
<http://www.bosta.com>