

**Flange stainless steel 316
DN50 x DN50 x 2" DIN flange x
female thread 16bar DN50
PN16 (0080668)**



TECHNICAL SPECIFICATIONS

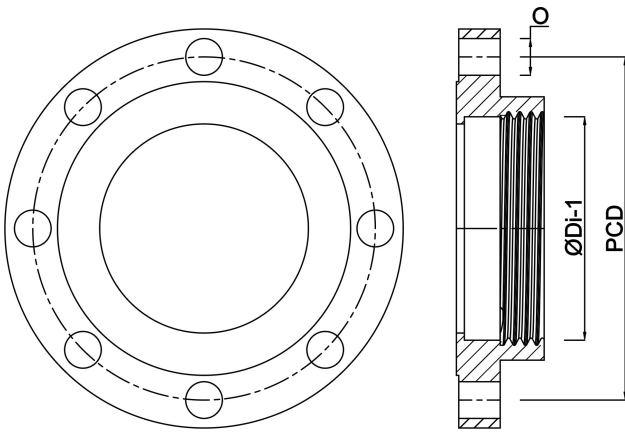
Material	stainless steel 316
Connection	DIN flange x female thread
DIN Standard	DIN 2566
Size	DN50 x DN50 x 2"
DN	50
Flange	PN16
Diameter	60,3 mm
Outer ø	165 mm
Weight	2.4 kg
Thickness	18 mm
Pressure	16 bar
Bolt hole	18 mm
Holes	4

DIMENSIONS

O	18 mm
PCD	125 mm

ØDi-1

2"



Last modified date: 22/05/2026

Bosta UK Ltd.
Reflection House
Olding Road
Bury St. Edmunds
Suffolk
IP33 3TA
T +44 (0) 1284 716580
E enquiries@bosta.co.uk
<http://www.bosta.com>