

Profec Ball valve brass nickel plated 2" female thread 25bar type 108 (0401380)



TECHNICAL SPECIFICATIONS

Type	108
Material	brass
Surface treatment	nickel plated
Operation	lever
Colour lever	red
Handle material	steel
Housing construction	2-part
Ball material	hard chrome plated brass
Material housing	brass
Material seal	PTFE
Connection	female thread
Flow	full
Temperature range	-20°C - 120°C
Pressure	25 bar
Size	2"

DIMENSIONS

Ct-1 90.5 mm

F-1 17.5 mm

F-2 17.5 mm

Handle height 87

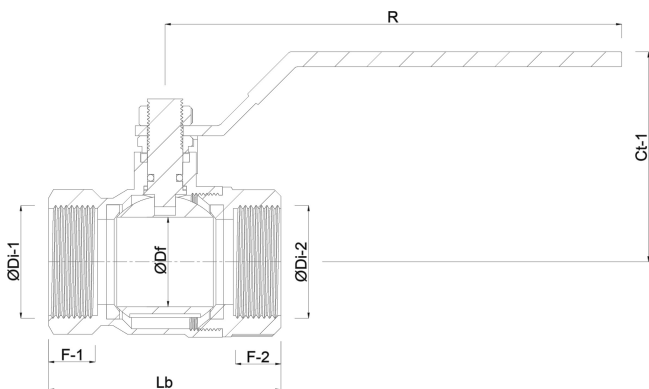
Lb 104 mm

R 151.5 mm

ØDf 50 mm

ØDi-1 2 "

ØDi-2 2 "



PRODUCT INFORMATION

With drain valve.

Last modified date: 10/04/2026

Bosta UK Ltd.
Reflection House
Olding Road
Bury St. Edmunds
Suffolk
IP33 3TA
T +44 (0) 1284 716580
E enquiries@bosta.co.uk
<http://www.bosta.com>