

**Profec Flange welding neck
steel DN200 x 219,1 mm DIN
flange x butt welding black
PN16 (1180489)**



TECHNICAL SPECIFICATIONS

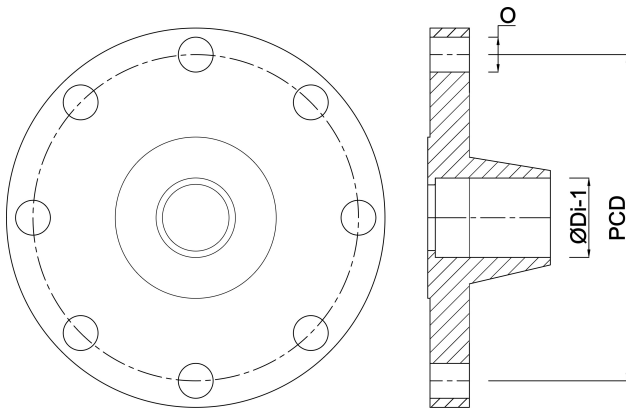
Colour	black
Material	steel
Connection	DIN flange x butt welding
DIN Standard	DIN 2633
Flange	PN16
Size	DN200 x 219,1 mm
Outer ø	340 mm
Weight	10.85 kg
Height	62 mm
Thickness	24 mm
PCD	295 mm
Bolt hole	22 mm
Holes	12

DIMENSIONS

O	22 mm
PCD	295 mm

ØDi-1

207.3 mm



Last modified date: 24/05/2026

Bosta UK Ltd.
Reflection House
Olding Road
Bury St. Edmunds
Suffolk
IP33 3TA
T +44 (0) 1284 716580
E enquiries@bosta.co.uk
<http://www.bosta.com>