

VDL Ball valve PVC-U 90 mm glue socket 10bar grey type DIL (7015982)



VDL Van de Lande

TECHNICAL SPECIFICATIONS

Colour grey

Type DIL

Material PVC-U

Operation lever

Colour lever orange

Handle material PVC-U

Housing construction 3-part

Material seal EPDM

Connection glue socket

Temperature range 0°C - 60°C

Size 90 mm

Pressure 10 bar

DIMENSIONS

Ct-1 143 mm

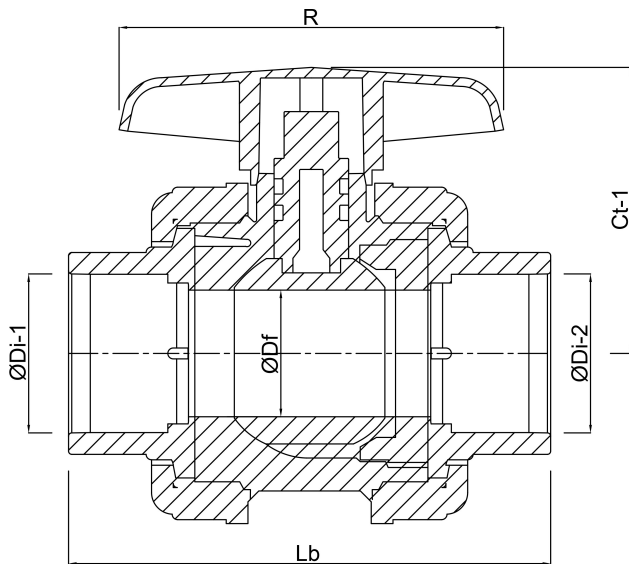
Lb 256 mm

R 150 mm

ØDf 75 mm

ØDi-1 90 mm

ØDi-2 90 mm



Last modified date: 24/05/2026

Bosta UK Ltd.
Reflection House
Olding Road
Bury St. Edmunds
Suffolk
IP33 3TA
T +44 (0) 1284 716580
E enquiries@bosta.co.uk
<http://www.bosta.com>