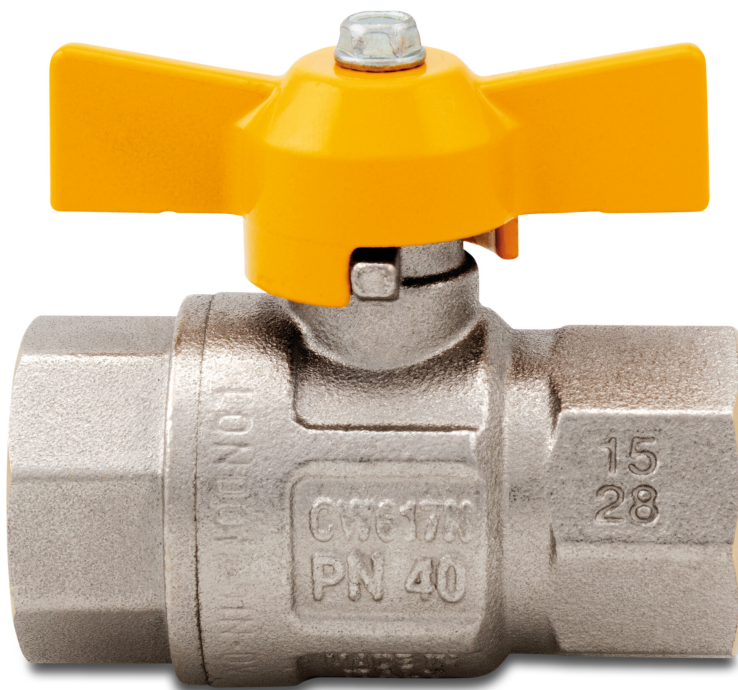


**Itap Ball valve brass nickel
plated 1/4" female thread 5bar
DN10 DVGW type 068
(0401150)**



TECHNICAL SPECIFICATIONS

Type 068

Material brass

Surface treatment nickel plated

Approval DVGW

Operation butterfly handle

Colour lever yellow

Handle material aluminium

Housing construction 2-part

Ball material hard chrome plated brass

Material housing brass

Material seal PTFE

Connection female thread

Max. temperature 60 °C

Minimum medium temperature -10 °C
(continuous)

Flow full

Pressure 5 bar

Size	1/4"
------	------

DN	10
----	----

DIMENSIONS

Ct-1	37.3 mm
------	---------

F-1	11 mm
-----	-------

F-2	11 mm
-----	-------

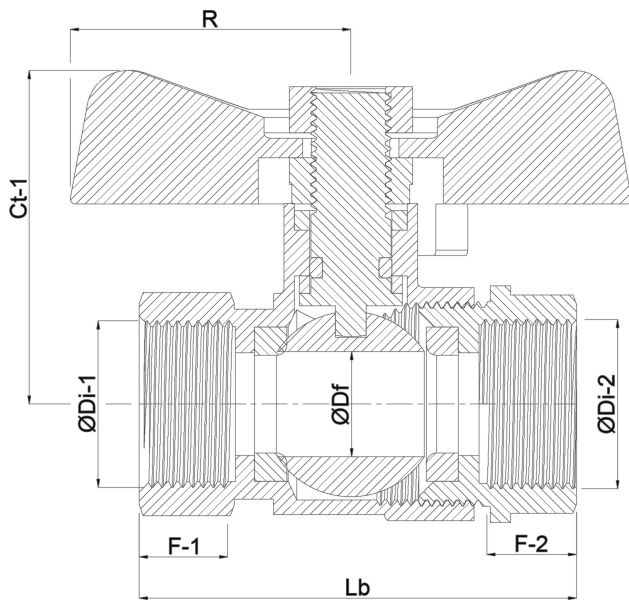
Lb	49,5 mm
----	---------

R	23.5 mm
---	---------

ØDf	10 mm
-----	-------

ØDi-1	1/4 "
-------	-------

ØDi-2	1/4 "
-------	-------



Last modified date: 23/05/2026

Bosta UK Ltd.
Reflection House
Olding Road
Bury St. Edmunds
Suffolk
IP33 3TA
T +44 (0) 1284 716580
E enquiries@bosta.co.uk
<http://www.bosta.com>