

**Flange stainless steel 316  
DN65 x DN65 x 2 1/2" DIN  
flange x female thread 16bar  
DN65 PN16 (0080669)**



# TECHNICAL SPECIFICATIONS

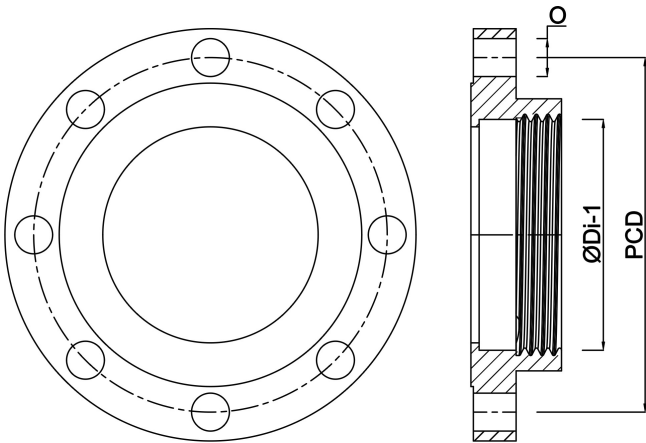
Material	stainless steel 316
Connection	DIN flange x female thread
DIN Standard	DIN 2566
Size	DN65 x DN65 x 2 1/2"
DN	65
Flange	PN16
Diameter	76,1 mm
Outer ø	185 mm
Weight	3 kg
Thickness	18 mm
Pressure	16 bar
Bolt hole	18 mm
Holes	8

## DIMENSIONS

O	18 mm
PCD	145 mm

ØDi-1

2 1/2 "



**Last modified date: 13/03/2026**

Bosta UK Ltd.  
Reflection House  
Olding Road  
Bury St. Edmunds  
Suffolk  
IP33 3TA  
T +44 (0) 1284 716580  
E [enquiries@bosta.co.uk](mailto:enquiries@bosta.co.uk)  
<http://www.bosta.com>