

**Heat exchanger stainless steel
316 male thread
BDW16DWHx40 (7008066)**



TECHNICAL SPECIFICATIONS

Material stainless steel 316

Pressure secondary system 16 bar

Connection male thread

Pressure primary system 16 bar

Model BDW16DWHx40

Capacity kW/h at $\Delta t=60^{\circ}\text{C}$ 40 kWh

Flow primary system 40 ltr/min

Flow secondary system 40 ltr/min

Size secondary system 1 1/4 "

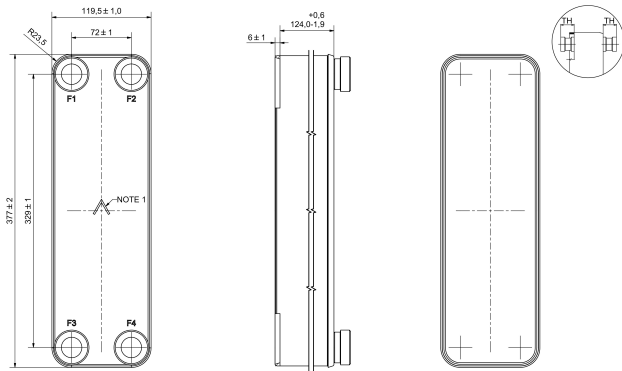
Size primary system 1 1/4 "

DIMENSIONS

A 377 mm

B 118 mm

C 329 mm



PRODUCT INFORMATION

The Swep heat exchanger is a double unit with dry separation. The heat exchanger is equipped with both the Kiwa and also Belgaqua certificate. The material used (acid-resistant, stainless steel AISI 316) was chosen because of its use in conditions where there is a high risk of weathering.

Last modified date: 24/05/2026

Bosta UK Ltd.
Reflection House
Olding Road
Bury St. Edmunds
Suffolk
IP33 3TA
T +44 (0) 1284 716580
E enquiries@bosta.co.uk
<http://www.bosta.com>