

# Profec Ball valve brass nickel plated 4" female thread 25bar type 100 (0403010)



# TECHNICAL SPECIFICATIONS

Type 100

Material brass

Surface treatment nickel plated

Operation lever

Colour lever red

Handle material steel

Ball material hard chrome plated brass

Material housing brass

Material seal PTFE

Connection female thread

Temperature range -20°C - 120°C

Pressure 25 bar

Size 4"

## DIMENSIONS

Ct-1 139.7 mm

F-1 32 mm

F-2 32 mm

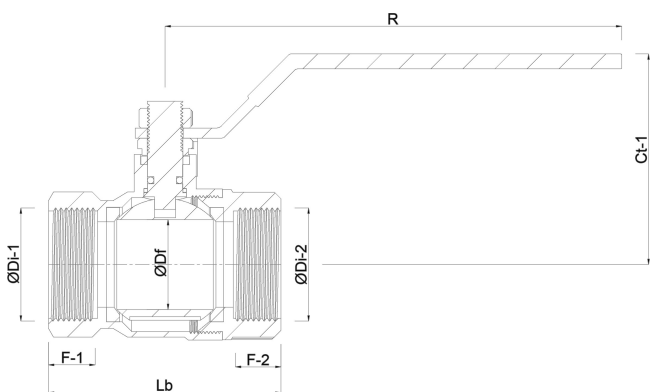
Lb 179.2 mm

R 279.5 mm

ØDf 90 mm

ØDi-1 4 "

ØDi-2 4 "



**Last modified date: 08/05/2026**

Bosta UK Ltd.  
Reflection House  
Olding Road  
Bury St. Edmunds  
Suffolk  
IP33 3TA  
T +44 (0) 1284 716580  
E [enquiries@bosta.co.uk](mailto:enquiries@bosta.co.uk)  
<http://www.bosta.com>