

**Profec Butterfly valve ductile  
iron (GGG40) epoxy coating  
DN250 flange 10bar DN250  
blue PN6/10/16 type 600  
(0401857)**



# TECHNICAL SPECIFICATIONS

Colour	blue
Type	600
Material	ductile iron (GGG40)
Surface treatment	epoxy coating
Operation	lever
Colour lever	black
Handle material	malleable cast iron
Material valve	ductile iron
Material spindle	stainless steel 316
Seat material	EPDM
Material housing	ductile iron (GGG40)
Material seal	EPDM
Connection	flange
Flange	PN6/10/16
Temperature range	0°C - 90°C
Pressure	10 bar
Size	DN250

DN 250

Width 66 mm

Height 542 mm

Torque 300 Nm

Bolt hole 22 mm

Holes 12

## DIMENSIONS

Construction length din 3202 k1, iso 5752

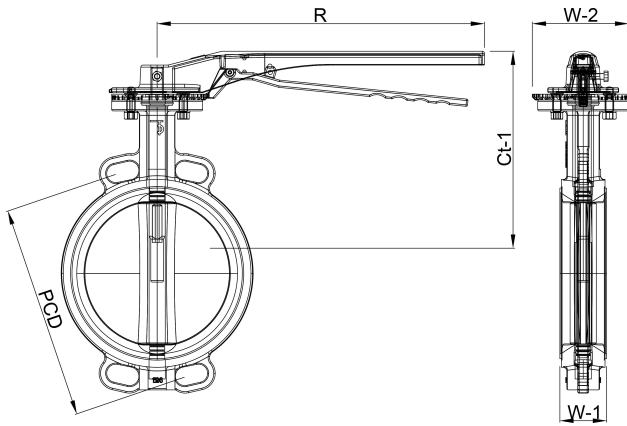
Ct-1 330 mm

PCD 335/355 mm

R 360 mm

W-1 66 mm

W-2 132 mm



**Last modified date: 25/05/2026**

Bosta UK Ltd.  
Reflection House  
Olding Road  
Bury St. Edmunds  
Suffolk  
IP33 3TA  
T +44 (0) 1284 716580  
E [enquiries@bosta.co.uk](mailto:enquiries@bosta.co.uk)  
<http://www.bosta.com>